

This catalog covers:
FX921V-□S04

This fig. covers:
TITLE

PARTS CATALOG

4-STROKE ENGINE

FX921V

PRODUCT CODE	NOTE
FX921V-ES04	RIDING MOWER

PARTS CATALOG INTRODUCTION

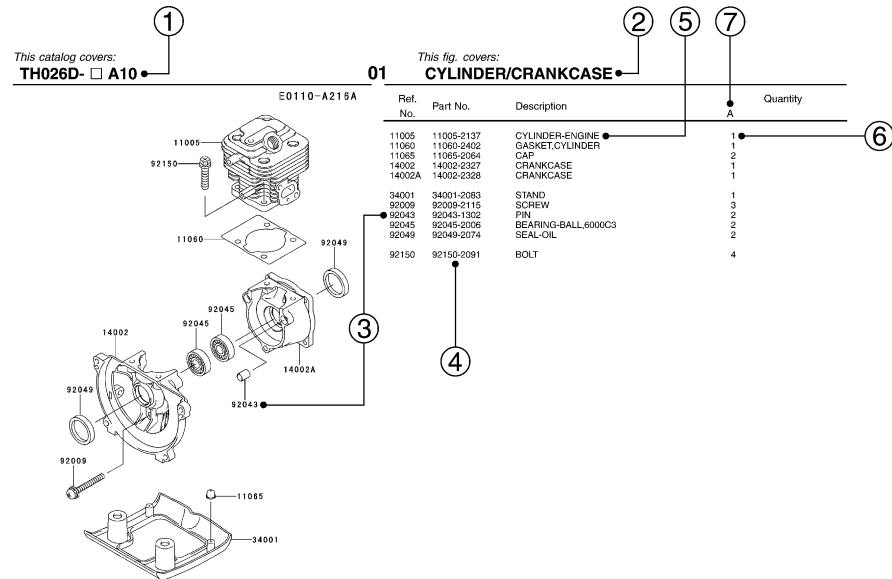
This parts catalog lists parts and sub-assemblies provided as service parts.

When it becomes necessary to replace parts, always use KAWASAKI GENUINE PARTS which have passed strict inspection which guarantees quality and performance.

1. HOW TO ORDER PARTS

- When ordering the parts, be sure to use the parts catalog corresponding to the product code. Check the product revision codes on the product and the catalog.
 Product Code (example) : FA130D-**AA00**
 Product Revision Code
- Specify the part code (all digits) exactly as listed in this catalog on your parts order.
- The parts not shown in the illustrations of this catalog are not sold separately; only the complete units or next higher assemblies illustrated are supplied as the service parts.

2. EXPLANATION OF PARTS CATALOG FORMAT



1) Product Code

This code describes the product code covered by this catalog. The product revision code, which is a part of the product code, is omitted.

2) Part Group Title

This title is the representative name for the group of parts illustrated on the page.

3) Reference Number

The reference numbers are shown on the illustration and the list as the link between them.

PARTS LIST INFORMATION

4) Part Number

This is the key of your parts ordering.

Three kinds of part number are used in this catalog.

- Structure 1
 □□□□□□-□□□□□□-□□
 □□□□□□-□□□□□□
 Part Revision Code
- Structure 2
 □□□□□□-□□□□□□-□□
 Color Code for Painted Part
- Standard Hardware Number
 (for bolts, nuts, washer, or the like)
 □□□□□□□□
 Size Code
 Material and Surface Treatment Code
 Item Code

5) Description and Additional Information

The part name, the location, the size, and the serial number as additional information, etc. are described here. Use them to find out and check the part required.

When a part number is changed without change of the product revision code and the changed parts are not interchangeable, the serial number of the product is noted as follows;

- (FA130 - 100001) : Affected units are from beginning of the product of the product code up to and including this serial number.
- (FA130 - 100002 -) : Affected units are from this serial number and above.
- (FA130 - 100002 - FA130 - 110001) : Affected units are in this serial number range.

6) Quantity

The figure shows quantity of the part required at the indicated position on the illustration and for the specified product revision code.

The asterisk (*) on this column means the part can be used as the substitute on the product and is supplied until the stock is exhausted.

Note:Some small parts will be supplied by units.

Example: If six (6) bolts are ordered and the minimum quantity per unit is five (5), two (2), units of the bolt will be delivered.

7) Product Revision Code

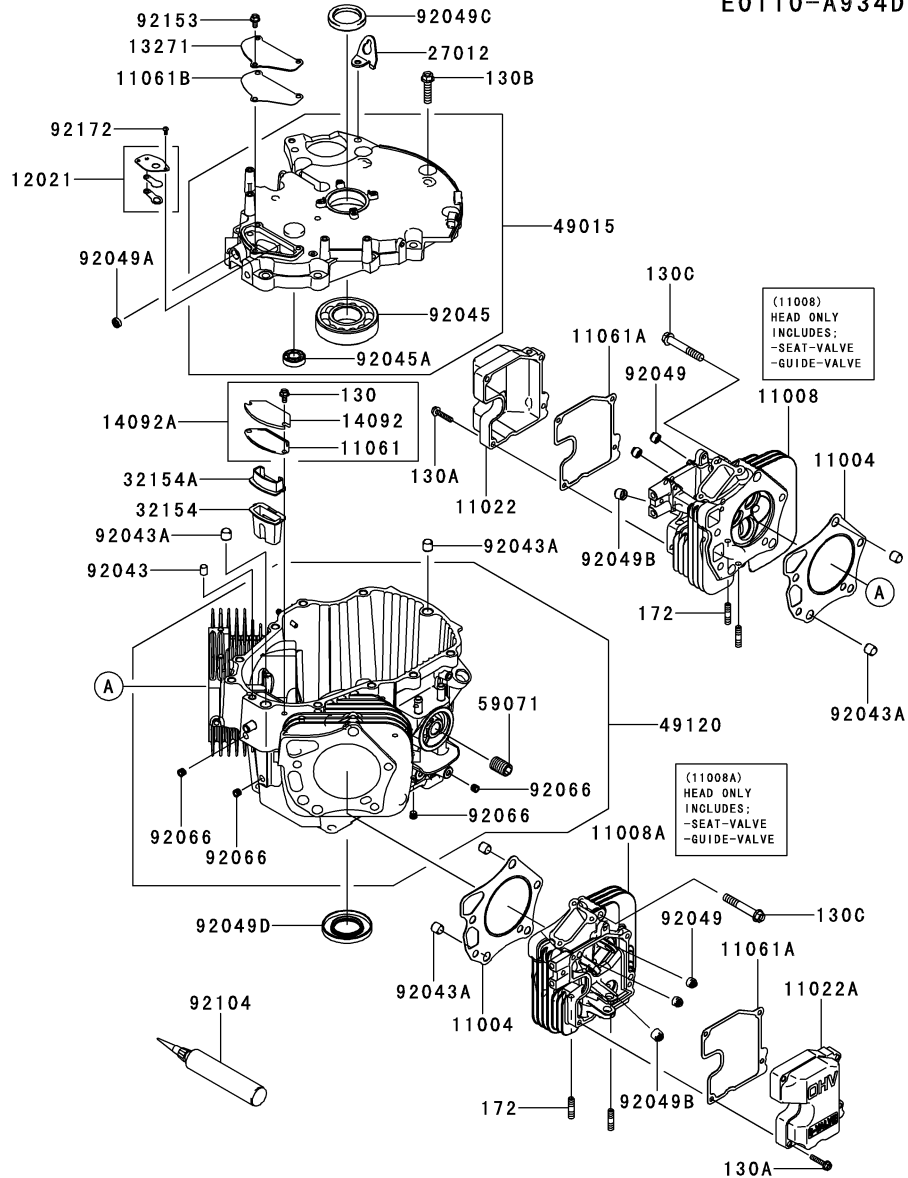
This Code indicates an important change which affects the service parts interchangeability.

3. ABBREVIATIONS

#	Number	FR.....	Front	RH	Right Hand
&.....	And	G	Gram	RPM ...	Revolutions Per Minute
(+).....	Plus	HEX.....	Hexagonal	RR	Rear
(-).....	Minus	ID=.....	Inside Diameter	STD.....	Standard
2ND.....	Second	IN.....	Inch	T.....	Teeth
3RD	Third	L=.....	Length	T=.....	Thickness
4TH.....	Fourth	LH.....	Left Hand	U/S.....	Under Size
A.....	Ampere	LWR	Lower	UPP	Upper
AR.....	As Required	MM.....	Millimeter	V.....	Volt
ASSY.....	Assembly	O/S.....	Over Size	W.....	Watt
CNT	Center	OD=.....	Outside Diameter		
COMP.....	Complete	REF.....	Reference		

This catalog covers:

FX921V- □ S04



01 CYLINDER/CRANKCASE

This fig. covers:

Ref. No.	Part No.	Description	Quantity
11004	11004-7023	GASKET-HEAD	2
11008	11008-0738	HEAD-COMP-CYLINDER,#1	1
11008A	11008-0739	HEAD-COMP-CYLINDER,#2	1
11022	11022-0707	CASE-ROCKER,#1	1
11022A	11022-0708	CASE-ROCKER,#2	1
11061	11061-0816	GASKET,BREATHER	1
11061A	11061-7055	GASKET,CASE-ROCKER	2
11061B	11061-7065	GASKET,BREATHER-COVER	1
12021	12021-7003	VALVE-ASSY-REED,BREATHER	1
13271	13271-7037	PLATE,BREATHER-COVER	1
14092	14092-1036	COVER,BREATHER	1
14092A	14092-6002	COVER	1
27012	27012-7008	HOOK	1
32154	32154-7014	PIPE,BREATHER	1
32154A	32154-7015	PIPE,BREATHER	1
49015	49015-7093	COVER-CRANKCASE	1
49120	49120-0844	CRANKCASE-COMP	1
59071	59071-0733	JOINT	1
92043	92043-0858	PIN	1
92043A	92043-1266	PIN,11X14X12.3	6
92045	92045-0712	BEARING-BALL,6308	1
92045A	92045-7002	BEARING-BALL,A 15X32X9 6002	1
92049	92049-7001	SEAL-OIL,RVC2 6X11X10.2	4
92049A	92049-7019	SEAL-OIL,SO 8X14X5 HS	1
92049B	92049-7020	SEAL-OIL,7X15X13	2
92049C	92049-7024	SEAL-OIL,SD 40X54X9 R HS	1
92049D	92049-7025	SEAL-OIL,SD 40X72X8 L VS	1
92066	92066-0762	PLUG	4
92104	92104-0007	GASKET-LIQUID,TB1217H	AR
92153	92153-7043	BOLT,6X12	3
92172	92172-0870	SCREW,4X8	2
130	130AA0616	BOLT-FLANGED,6X16	2
130A	130AA0630	BOLT-FLANGED,6X30	8
130B	130CA1040	BOLT-FLANGED,10X40	11
130C	130CA1065	BOLT-FLANGED,10X65	10
172	172BA0822	BOLT-STUD,8X22	4

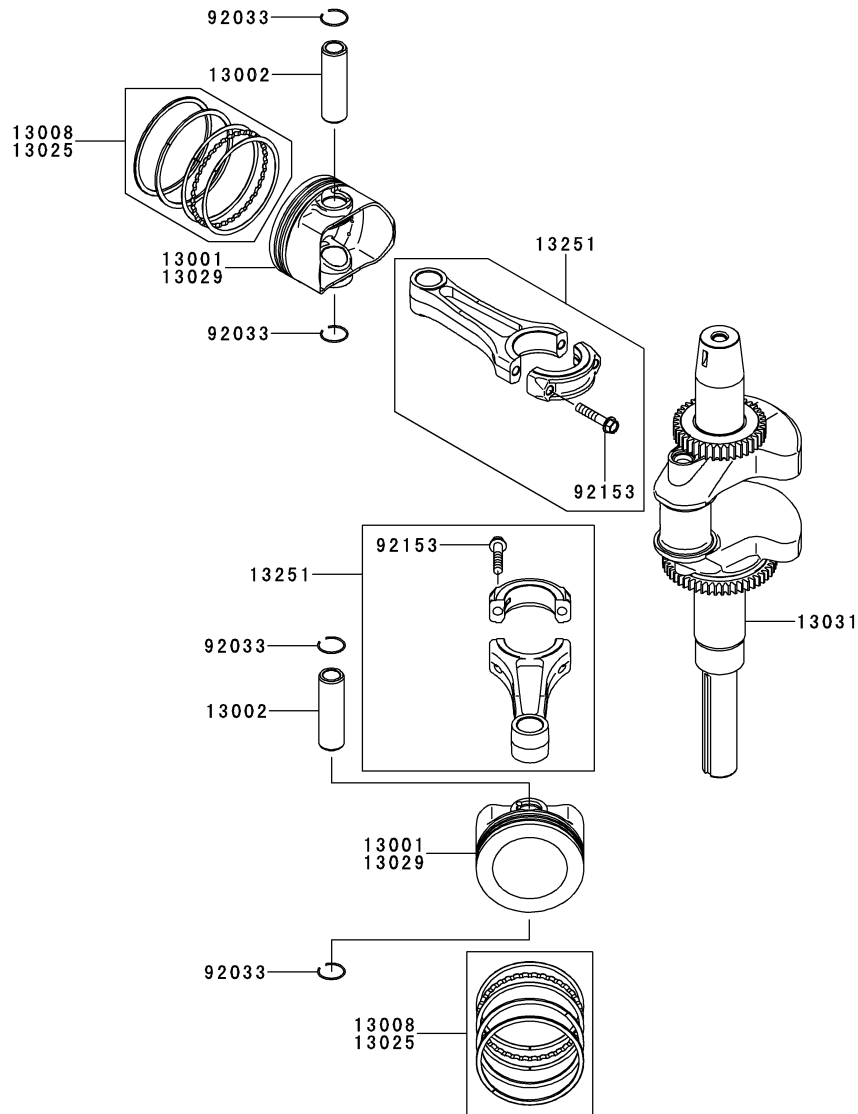
This catalog covers:

FX921V- □ S04

This fig. covers:

02 PISTON/CRANKSHAFT

E0120-A504A



Ref. No.	Part No.	Description	E	Quantity
13001	13001-7032	PISTON-ENGINE	2	
13002	13002-7004	PIN-PISTON	2	
13008	13008-7007	RING-SET-PISTON	2	
13025	13025-0014	RING-SET-PISTON L0.5	AR	
13029	13029-0025	PISTON-ENGINE L0.5	AR	
13031	13031-7080	CRANKSHAFT-COMP	1	
13251	13251-0044	ROD-ASSY-CONNECTING	2	
92033	92033-0726	RING-SNAP	4	
92153	92153-2054	BOLT,7X35.2	4	

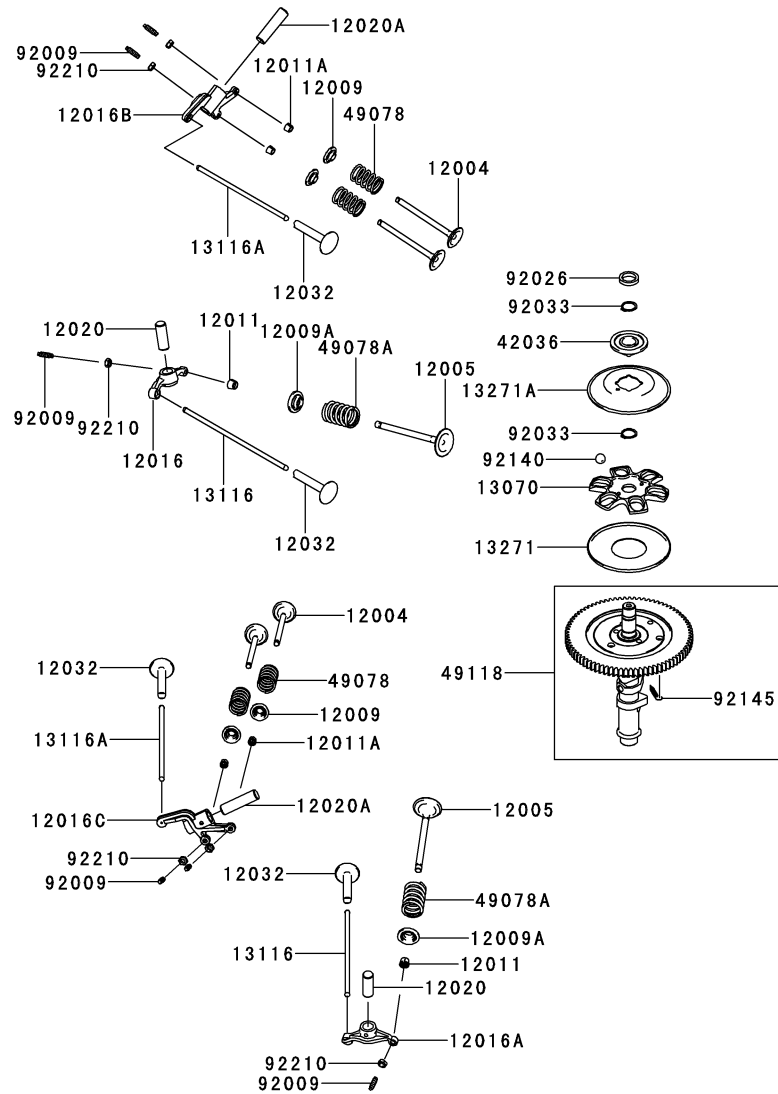
This catalog covers:

FX921V- □ S04

This fig. covers:

03 VALVE/CAMSHAFT

E0130-A233G



Ref. No.	Part No.	Description	Quantity
12004	12004-7006	VALVE-INTAKE	4
12005	12005-0714	VALVE-EXHAUST	2
12009	12009-7001	RETAINER-VALVE SPRING	4
12009A	12009-7004	RETAINER-VALVE SPRING	2
12011	12011-2052	COLLET	4
12011A	12011-2056	COLLET	8
12016	12016-0713	ARM-ROCKER,#1,EX	1
12016A	12016-0714	ARM-ROCKER,#2,EX	1
12016B	12016-7014	ARM-ROCKER,#1,IN	1
12016C	12016-7015	ARM-ROCKER,#2,IN	1
12020	12020-0707	SHAFT-ROCKER,EX	2
12020A	12020-0708	SHAFT-ROCKER,IN	2
12032	12032-7002	TAPPET	4
13070	13070-7004	GUIDE	1
13116	13116-0711	ROD-PUSH	2
13116A	13116-0712	ROD-PUSH	2
13271	13271-7007	PLATE	1
13271A	13271-7021	PLATE,GOVERNOR	1
42036	42036-7010	SLEEVE	1
49078	49078-7006	SPRING-ENGINE VALVE,IN	4
49078A	49078-7007	SPRING-ENGINE VALVE,EX	2
49118	49118-0815	CAMSHAFT-COMP	1
92009	92009-1109	SCREW,VALVE ADJUST	6
92026	92026-0760	SPACER	1
92033	92033-0727	RING-SNAP	2
92140	92140-7005	BALL	6
92145	92145-1653	SPRING	1
92210	92210-1491	NUT,VALVE ADJUST LOCK	6

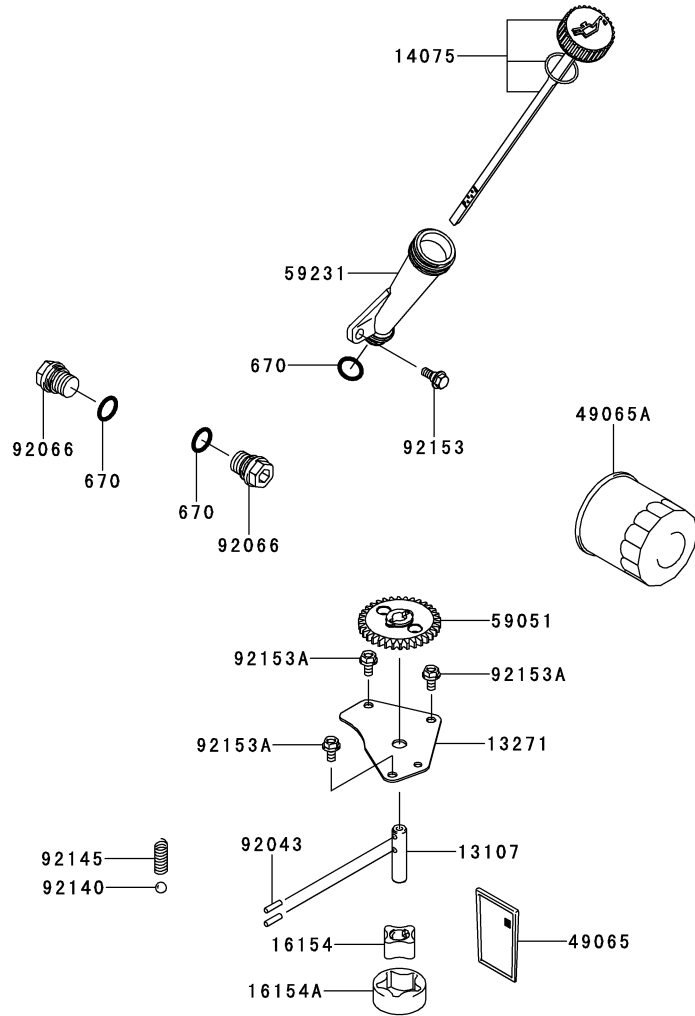
This catalog covers:

FX921V- □ S04

This fig. covers:

04 LUBRICATION-EQUIPMENT

E0140-A472A



Ref. No.	Part No.	Description	E	Quantity
13107	13107-7009	SHAFT		1
13271	13271-7034	PLATE, ROTOR-PUMP		1
14075	14075-0036	CAP-ASSY		1
16154	16154-7007	ROTOR-PUMP, IN		1
16154A	16154-7008	ROTOR-PUMP, OUT		1
49065	49065-7004	FILTER-OIL		1
49065A	49065-7010	FILTER-OIL		1
59051	59051-7026	GEAR-SPUR, OIL-PUMP		1
59231	59231-7011	FILLER		1
92043	92043-7003	PIN		2
92066	92066-0774	PLUG		2
92140	92140-7003	BALL, STEEL, 13/32		1
92145	92145-7046	SPRING		1
92153	92153-7007	BOLT, FLANGED, 6X16		1
92153A	92153-7043	BOLT, 6X12		3
670	670D2016	O RING, 16MM		3

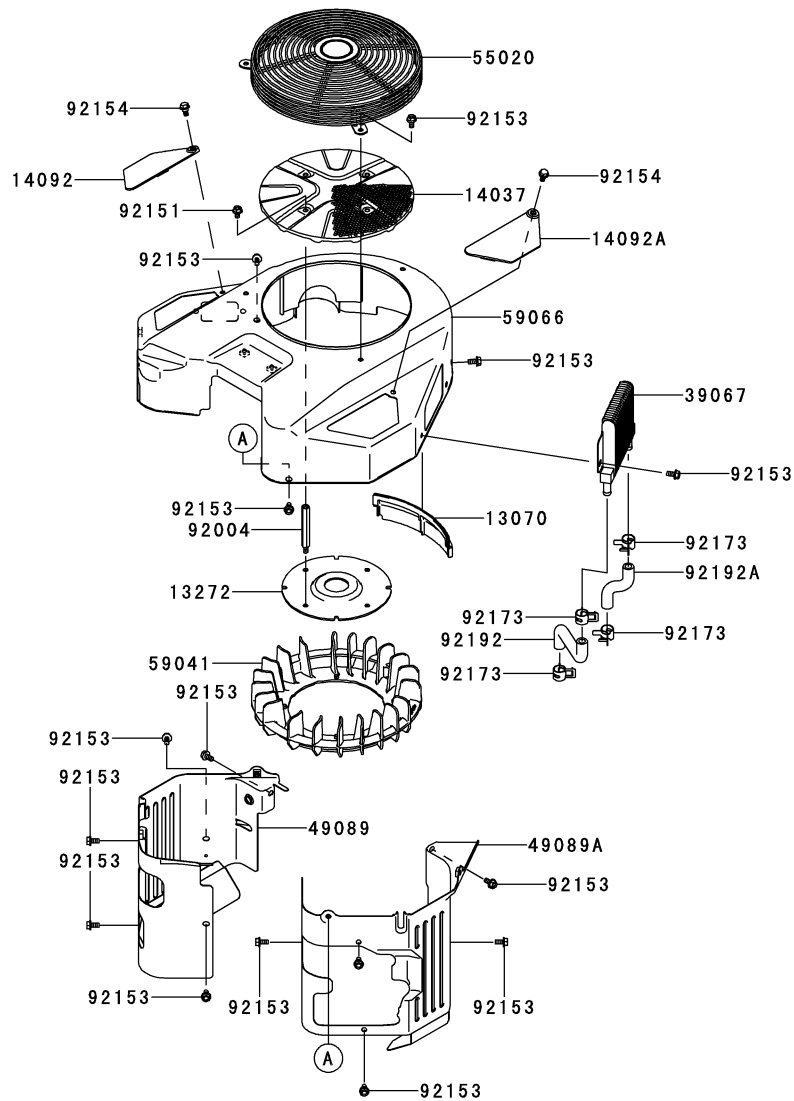
This catalog covers:

FX921V- □ S04

This fig. covers:

05 COOLING-EQUIPMENT

E0150-B278C



Ref. No.	Part No.	Description	E	Quantity
13070	13070-7013	GUIDE		1
13272	13272-1485	PLATE,FAN		1
14037	14037-7029-9H	SCREEN		1
14092	14092-1039	COVER		1
14092A	14092-1040	COVER		1
39067	39067-7007	COOLER-OIL		1
49089	49089-0872	SHROUD-ENGINE,#1		1
49089A	49089-7088-753	SHROUD-ENGINE		1
55020	55020-7016-9H	GUARD		1
59041	59041-7019	FAN		1
59066	59066-0807-753	HOUSING-FAN,GRAY		1
92004	92004-7021	STUD,6X69		4
92151	92151-7012	BOLT,6X12		4
92153	92153-7043	BOLT,6X12		18
92154	92154-1119	BOLT		2
92173	92173-1619	CLAMP		4
92192	92192-7078	TUBE		1
92192A	92192-7079	TUBE		1

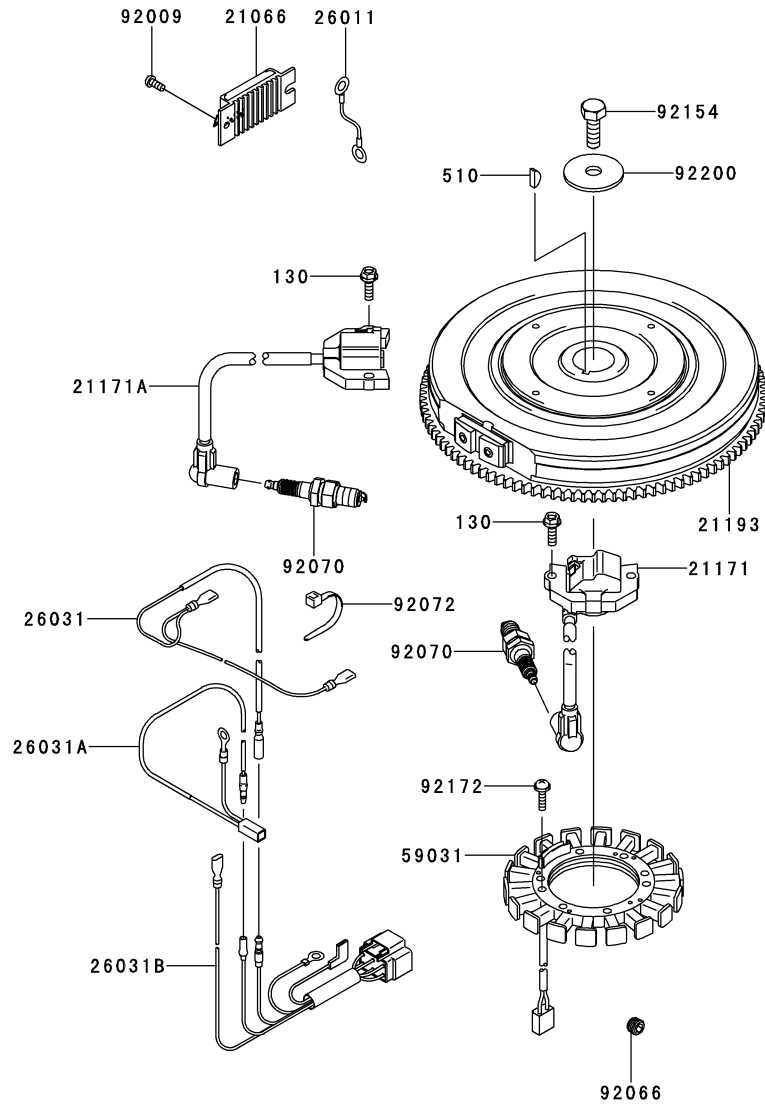
This catalog covers:

FX921V- □ S04

This fig. covers:

06 ELECTRIC-EQUIPMENT

E0160-B883A



Ref. No.	Part No.	Description	Quantity
21066	21066-0740	REGULATOR-VOLTAGE	1
21171	21171-0744	COIL-ASSY-IGNITION	1
21171A	21171-7042	COIL-ASSY-IGNITION,#1 CYL	1
21193	21193-0018	FLYWHEEL-ASSY	1
26011	26011-2234	WIRE-LEAD	1
26031	26031-7033	HARNESS	1
26031A	26031-7034	HARNESS	1
26031B	26031-7039	HARNESS	1
59031	59031-7017	COIL-CHARGING	1
92009	92009-2308	SCREW	2
92066	92066-0762	PLUG	1
92070	92070-2088	PLUG-SPARK,BPR5ES(NGK),SOLID	2
92072	92072-7003	BAND	3
92154	92154-7003	BOLT,12X30	1
92172	92172-7018	SCREW,5X20	4
92200	92200-7040	WASHER,12.2X46X3	1
130	130AA0620	BOLT-FLANGED,6X20	4
510	510A5100	KEY-WOODRUFF	1

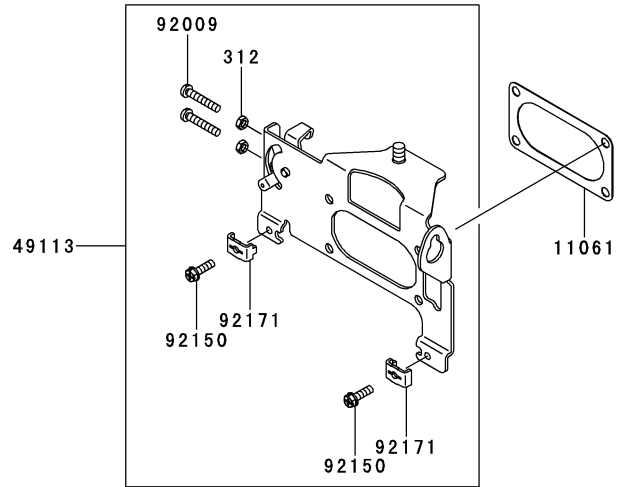
This catalog covers:

FX921V- □ S04

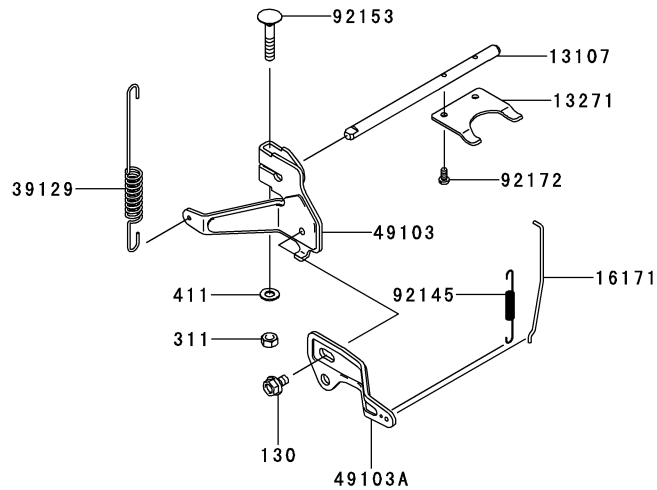
This fig. covers:

07 CONTROL-EQUIPMENT

E0170-A830D



Ref. No.	Part No.	Description	E	Quantity
11061	11061-7056	GASKET,PIPE-INTAKE		1
13107	13107-7040	SHAFT		1
13271	13271-7038	PLATE		1
16171	16171-0038	LINK		1
39129	39129-7027	SPRING-GOVERNOR		1
49103	49103-7009	ARM-GOVERNOR		1
49103A	49103-7010	ARM-GOVERNOR		1
49113	49113-0008	PANEL-COMP-CONTROL		1
92009	92009-2381	SCREW,5X30		2
92145	92145-7050	SPRING		1
92150	92150-2182	BOLT,5X18		2
92153	92153-7033	BOLT,6X35		1
92171	92171-7018	CLAMP		2
92172	92172-0870	SCREW,4X8		2
130	130BA0610	BOLT-FLANGED,6X10		1
311	311AA0600	NUT-HEX,6MM		1
312	312AA0500	NUT-HEX,5MM		2
411	411AA0600	WASHER-PLAIN,6MM		1



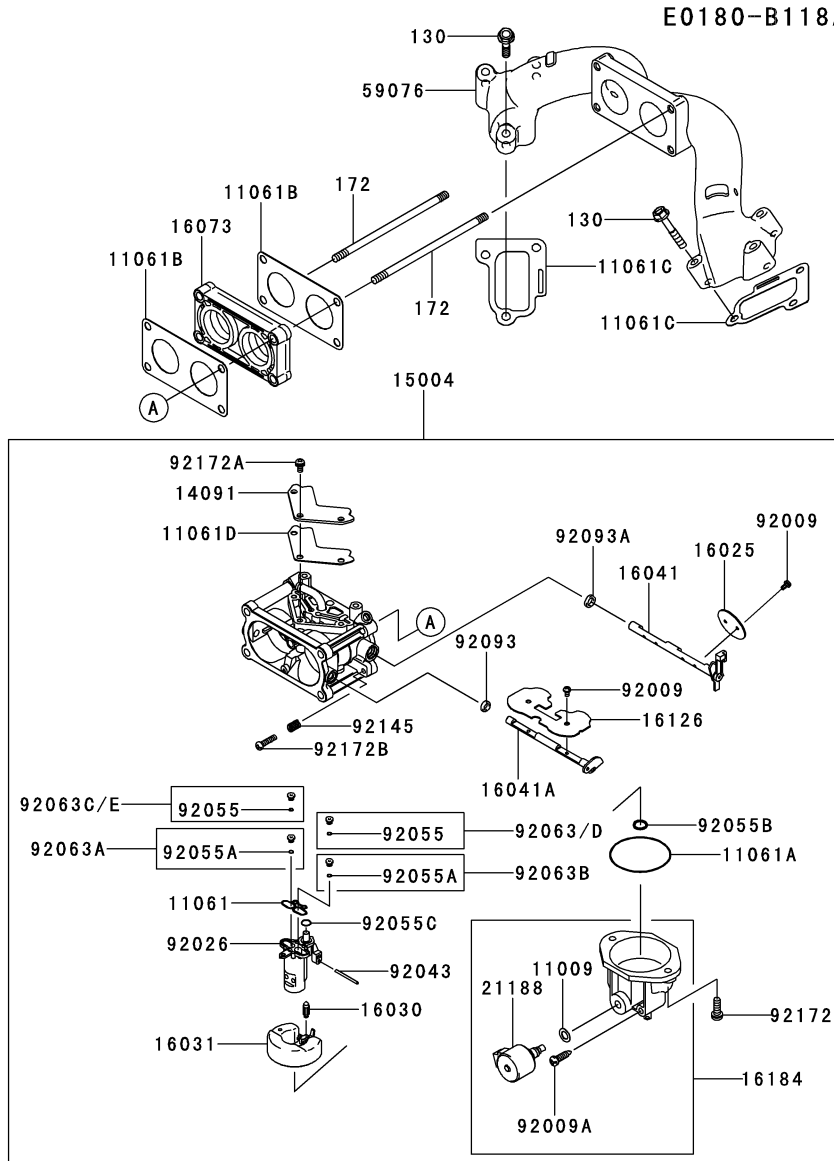
This catalog covers:

FX921V- □ S04

This fig. covers:

08 CARBURETOR(1/2)

E0180-B118A



Ref. No.	Part No.	Description	E	Quantity
11009	11009-2056	GASKET,SCREW-CARBURETOR		1
11061	11061-7037	GASKET,CARB SPACER		1
11061A	11061-7038	GASKET,CARBURETOR		1
11061B	11061-7057	GASKET,INSULATOR		2
11061C	11061-7062	GASKET,MANIFOLD		2
11061D	11061-7067	GASKET		1
14091	14091-7059	COVER		1
15004	15004-0937	CARBURETOR-ASSY		1
16025	16025-7012	VALVE-THROTTLE		2
16030	16030-7004	VALVE-FLOAT		1
16031	16031-7003	FLOAT		1
16041	16041-0023	SHAFT-CARBURETOR,THROTTLE		1
16041A	16041-7035	SHAFT-CARBURETOR,CHOCK		1
16073	16073-7010	INSULATOR		1
16126	16126-7019	VALVE,CHOCK		1
16184	16184-7023	CHAMBER-ASSY-FLOAT		1
21188	21188-7003	SOLENOID		1
59076	59076-7012	MANIFOLD-INTAKE		1
92009	92009-7003	SCREW		6
92009A	92009-7006	SCREW,DRAIN		1
92026	92026-7022	SPACER		1
92043	92043-7016	PIN,FLOAT		1
92055	92055-7013	RING-O	AR	2
92055A	92055-7013	RING-O		1
92055B	92055-7016	RING-O		1
92055C	92055-7024	RING-O		1
92063	92063-7099	JET-MAIN,#134,6560FT (OPTION)		1
92063A	92063-7099	JET-MAIN,#134		1
92063B	92063-7100	JET-MAIN,#140		1
92063C	92063-7101	JET-MAIN,#131,3280FT (OPTION)		1
92063D	92063-7102	JET-MAIN,#137,3280FT (OPTION)		1
92063E	92063-7103	JET-MAIN,#128,6560FT (OPTION)		1
92093	92093-7001	SEAL,D=5.9		1
92093A	92093-7002	SEAL,D=6.9		1

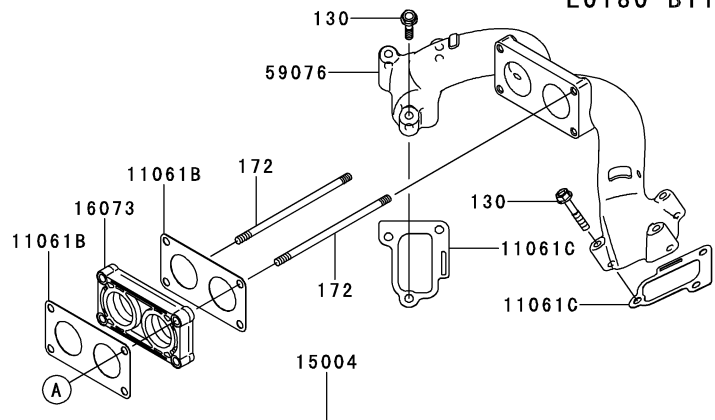
This catalog covers:

FX921V- □ S04

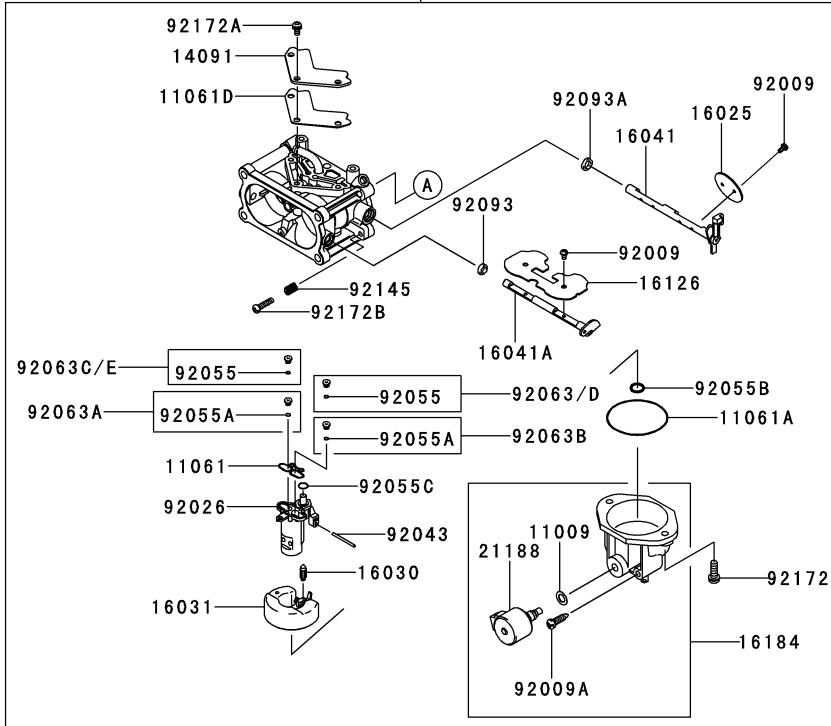
This fig. covers:

08 CARBURETOR(2/2)

E0180-B118A



Ref. No.	Part No.	Description	Quantity
92145	92145-7039	SPRING	1
92172	92172-7005	SCREW,M5	2
92172A	92172-7006	SCREW,M4	3
92172B	92172-7039	SCREW,THROTTLE ADJUST	1
130	130AA0635	BOLT-FLANGED,6X35	6
172	172BA06120	BOLT-STUD,6X120	2



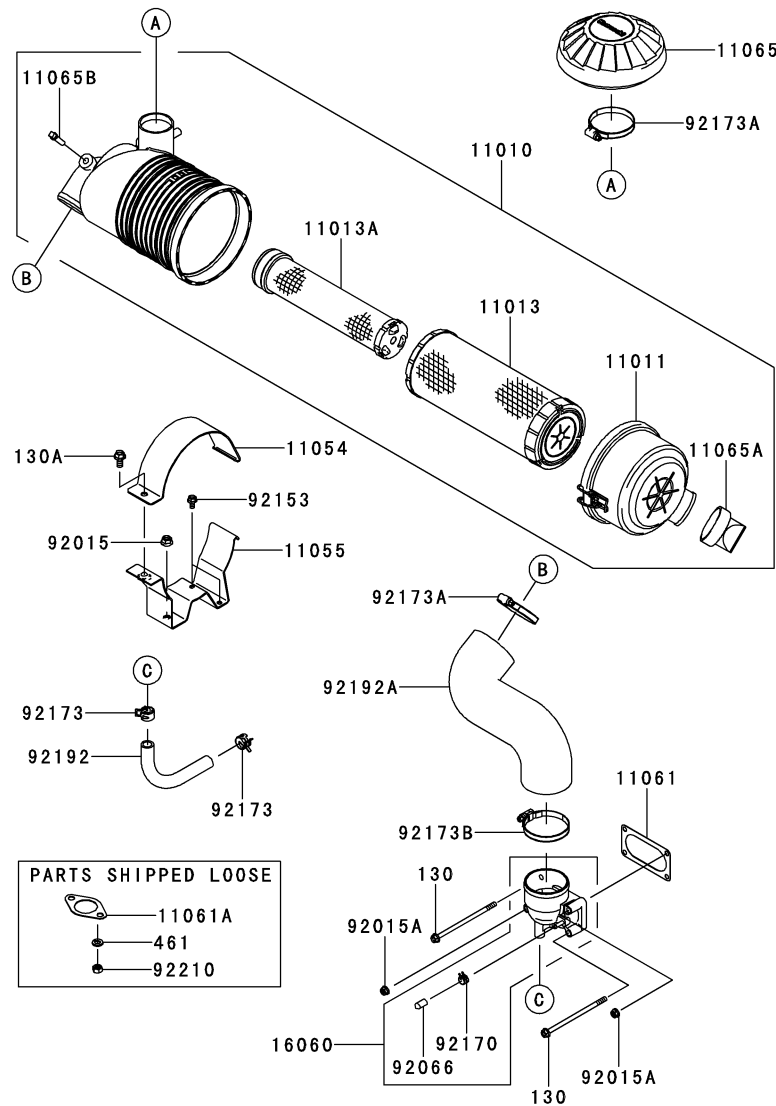
This catalog covers:

FX921V- □ S04

This fig. covers:

09 AIR-FILTER/MUFFLER

E0190-B307B



Ref. No.	Part No.	Description	Quantity
11010	11010-0715	FILTER-ASSY-AIR	1
11011	11011-7056	CASE-AIR FILTER	1
11013	11013-7044	ELEMENT-AIR FILTER	1
11013A	11013-7045	ELEMENT-AIR FILTER	1
11054	11054-7013-9X	BRACKET	1
11055	11055-7010-9H	BRACKET	1
11061	11061-7056	GASKET,PIPE-INTAKE	1
11061A	11061-7061	GASKET,MUFFLER	2
11065	11065-7025	CAP	1
11065A	11065-7031	CAP	1
11065B	11065-7032	CAP	1
16060	16060-0727	PIPE-INTAKE	1
92015	92015-1143	NUT,8MM	1
92015A	92015-1367	NUT,FLANGED,6MM	2
92066	92066-0095	PLUG	1
92153	92153-7043	BOLT,6X12	2
92170	92170-2042	CLAMP	1
92173	92173-7003	CLAMP	2
92173A	92173-7010	CLAMP	2
92173B	92173-7011	CLAMP	1
92192	92192-7086	TUBE,12.6X18.6X124.6	1
92192A	92192-7166	TUBE,AIR-FILTER	1
92210	92210-7027	NUT,M8	4
130	130AA06120	BOLT-FLANGED,6X120	2
130A	130BA0816	BOLT-FLANGED,8X16	1
461	461DA0800	WASHER-SPRING,8MM	4

This catalog covers:

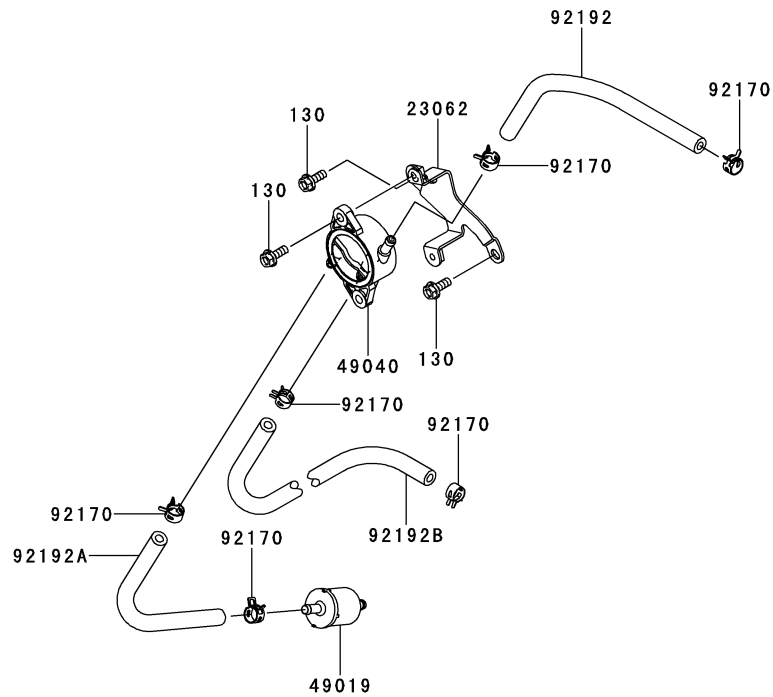
FX921V- □ S04

This fig. covers:

10 FUEL-TANK/FUEL-VALVE

E0200-A896E

Ref. No.	Part No.	Description	E	Quantity
23062	23062-7020	BRACKET-COMP		1
49019	49019-0027	FILTER-FUEL		1
49040	49040-7009	PUMP-FUEL		1
92170	92170-2088	CLAMP		6
92192	92192-1537	TUBE,6.35X12.7X230		1
92192A	92192-1551	TUBE,6.35X12.7X185		1
92192B	92192-7077	TUBE,6.4X12.7X318		1
130	130BA0616	BOLT-FLANGED,6X16		4



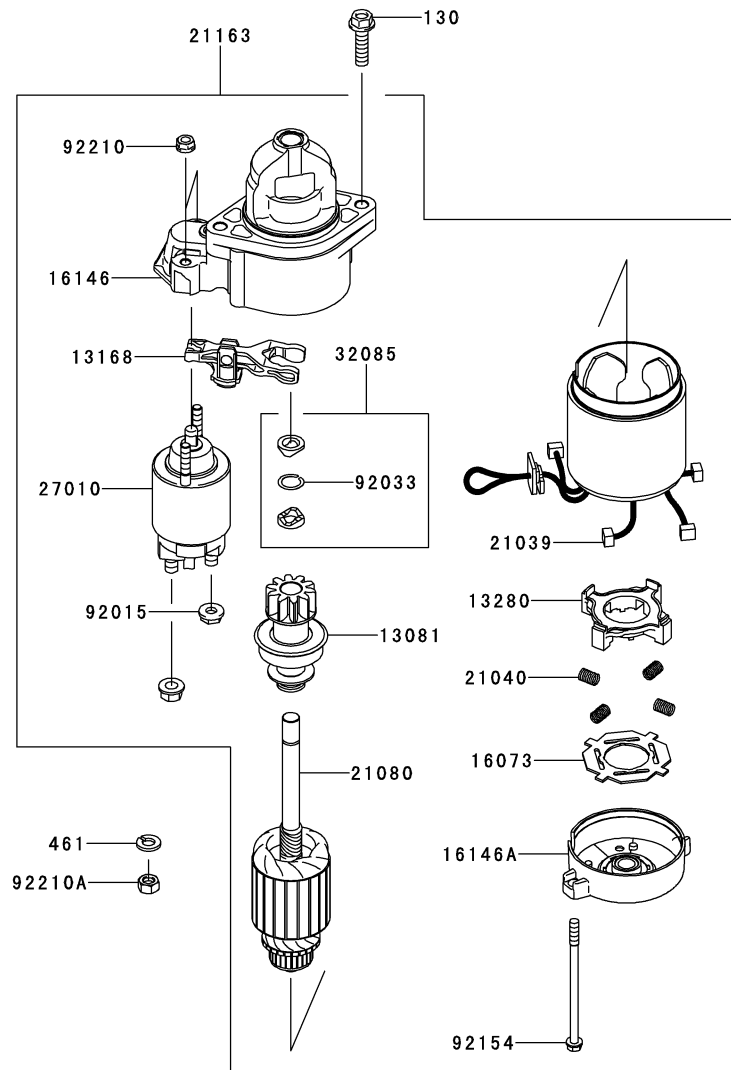
This catalog covers:

FX921V- □ S04

This fig. covers:

11 STARTER

E0210-A732D



Ref. No.	Part No.	Description	Quantity
13081	13081-0651	CLUTCH-ASSY,STARTER-ELECTRIC	1
13168	13168-0847	LEVER,PINION DRIVE	1
13280	13280-0873	HOLDER,BRUSH	1
16073	16073-0854	INSULATOR	1
16146	16146-0795	COVER-ASSY,STARTER DRIVE	1
16146A	16146-0796	COVER-ASSY,COMMUTATOR END	1
21039	21039-0011	BRUSH,STARTER-ELECTRIC	4
21040	21040-0005	SPRING-BRUSH	4
21080	21080-0011	ARMATURE,STARTER-ELECTRIC	1
21163	21163-0757	STARTER-ELECTRIC	1
27010	27010-0843	SWITCH,MAGNET	1
32085	32085-0797	STOPPER,PINION	1
92015	92015-2147	NUT	1
92033	92033-0777	RING-SNAP	1
92154	92154-2116	BOLT	2
92210	92210-1493	NUT	2
92210A	92210-7027	NUT,M8	1
130	130BA0830	BOLT-FLANGED,8X30	2
461	461DA0800	WASHER-SPRING,8MM	1

This catalog covers:
FX921V- □ S04

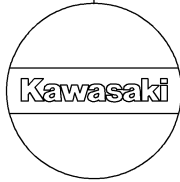
12 LABEL

This fig. covers:

F0290-C081A

Ref. No.	Part No.	Description	E	Quantity
56014	56014-0005	EMBLEM		1
56033	56033-7001	LABEL-MANUAL		1
56071	56071-0216	LABEL-WARNING		1
56080	56080-0851	LABEL-BRAND		2

56014



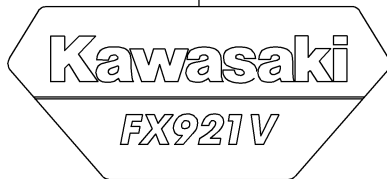
56033



56071



56080



This catalog covers:

FX921V- □ S04

This fig. covers:

PART NAME INDEX

AIR-FILTER/MUFFLER	09
CARBURETOR(1/2)	08
CARBURETOR(2/2)	08
CONTROL-EQUIPMENT	07
COOLING-EQUIPMENT	05
CYLINDER/CRANKCASE	01
ELECTRIC-EQUIPMENT	06
FUEL-TANK/FUEL-VALVE	10
LABEL	12
LUBRICATION-EQUIPMENT	04
PISTON/CRANKSHAFT	02
STARTER	11
VALVE/CAMSHAFT	03

This catalog covers:

FX921V- □ S04

This fig. covers:

NUMERICAL PARTS INDEX

Part No.	Fig No.	Part No.	Fig No.	Part No.	Fig No.	Part No.	Fig No.	Part No.	Fig No.
11004-7023	01	13107-7009	04	39129-7027	07	92055-7016	08		
11008-0738	01	13107-7040	07	411AA0600	07	92055-7024	08		
11008-0739	01	13116-0711	03	42036-7010	03	92063-7099	08		
11009-2056	08	13116-0712	03	461DA0800	09	92063-7099	08		
11010-0715	09	13168-0847	11	461DA0800	11	92063-7100	08		
11011-7056	09	13251-0044	02	49015-7093	01	92063-7101	08		
11013-7044	09	13271-7007	03	49019-0027	10	92063-7102	08		
11013-7045	09	13271-7021	03	49040-7009	10	92063-7103	08		
11022-0707	01	13271-7034	04	49065-7004	04	92066-0095	09		
11022-0708	01	13271-7037	01	49065-7010	04	92066-0762	01		
11054-7013-9X	09	13271-7038	07	49078-7006	03	92066-0762	06		
11055-7010-9H	09	13272-1485	05	49078-7007	03	92066-0774	04		
11061-0816	01	13280-0873	11	49089-0872	05	92070-2088	06		
11061-7037	08	14037-7029-9H	05	49089-7088-753	05	92072-7003	06		
11061-7038	08	14075-0036	04	49103-7009	07	92093-7001	08		
11061-7055	01	14091-7059	08	49103-7010	07	92093-7002	08		
11061-7056	07	14092-1036	01	49113-0008	07	92104-0007	01		
11061-7056	09	14092-1039	05	49118-0815	03	92140-7003	04		
11061-7057	08	14092-1040	05	49120-0844	01	92140-7005	03		
11061-7061	09	14092-6002	01	510A5100	06	92145-1653	03		
11061-7062	08	15004-0937	08	55020-7016-9H	05	92145-7039	08		
11061-7065	01	16025-7012	08	56014-0005	12	92145-7046	04		
11061-7067	08	16030-7004	08	56033-7001	12	92145-7050	07		
11065-7025	09	16031-7003	08	56071-0216	12	92150-2182	07		
11065-7031	09	16041-0023	08	56080-0851	12	92151-7012	05		
11065-7032	09	16041-7035	08	59031-7017	06	92153-2054	02		
12004-7006	03	16060-0727	09	59041-7019	05	92153-7007	04		
12005-0714	03	16073-0854	11	59051-7026	04	92153-7033	07		
12009-7001	03	16073-7010	08	59066-0807-753	05	92153-7043	01		
12009-7004	03	16126-7019	08	59071-0733	01	92153-7043	04		
12011-2052	03	16146-0795	11	59076-7012	08	92153-7043	05		
12011-2056	03	16146-0796	11	59231-7011	04	92153-7043	09		
12016-0713	03	16154-7007	04	670D2016	04	92154-1119	05		
12016-0714	03	16154-7008	04	92004-7021	05	92154-2116	11		
12016-7014	03	16171-0038	07	92009-1109	03	92154-7003	06		
12016-7015	03	16184-7023	08	92009-2308	06	92170-2042	09		
12020-0707	03	172BA06120	08	92009-2381	07	92170-2088	10		
12020-0708	03	172BA0822	01	92009-7003	08	92171-7018	07		
12021-7003	01	21039-0011	11	92009-7006	08	92172-0870	01		
12032-7002	03	21040-0005	11	92015-1143	09	92172-0870	07		
13001-7032	02	21066-0740	06	92015-1367	09	92172-7005	08		
13002-7004	02	21080-0011	11	92015-2147	11	92172-7006	08		
13008-7007	02	21163-0757	11	92026-0760	03	92172-7018	06		
13025-0014	02	21171-0744	06	92026-7022	08	92172-7039	08		
13029-0025	02	21171-7042	06	92033-0726	02	92173-1619	05		
13031-7080	02	21188-7003	08	92033-0727	03	92173-7003	09		
13070-7004	03	21193-0018	06	92033-0777	11	92173-7010	09		
13070-7013	05	23062-7020	10	92043-0858	01	92173-7011	09		
13081-0651	11	26011-2234	06	92043-1266	01	92192-1537	10		
130AA06120	09	26031-7033	06	92043-7003	04	92192-1551	10		
130AA0616	01	26031-7034	06	92043-7016	08	92192-7077	10		
130AA0620	06	26031-7039	06	92045-0712	01	92192-7078	05		
130AA0630	01	27010-0843	11	92045-7002	01	92192-7079	05		
130AA0635	08	27012-7008	01	92049-7001	01	92192-7086	09		
130BA0610	07	311AA0600	07	92049-7019	01	92192-7166	09		
130BA0616	10	312AA0500	07	92049-7020	01	92200-7040	06		
130BA0816	09	32085-0797	11	92049-7024	01	92210-1491	03		
130BA0830	11	32154-7014	01	92049-7025	01	92210-1493	11		
130CA1040	01	32154-7015	01	92055-7013	08	92210-7027	09		
130CA1065	01	39067-7007	05	92055-7013	08	92210-7027	11		