

*This catalog covers:*

**FX751V-□S00**

*This fig. covers:*

**TITLE**

# PARTS CATALOG

## 4-STROKE ENGINE

### FX751V

PRODUCT CODE	NOTE
FX751V-FS00	STD



KAWASAKI HEAVY INDUSTRIES, LTD

P/N 99907-6902-01

This catalog covers:

**FX751V-□S00**

## PARTS CATALOG INTRODUCTION

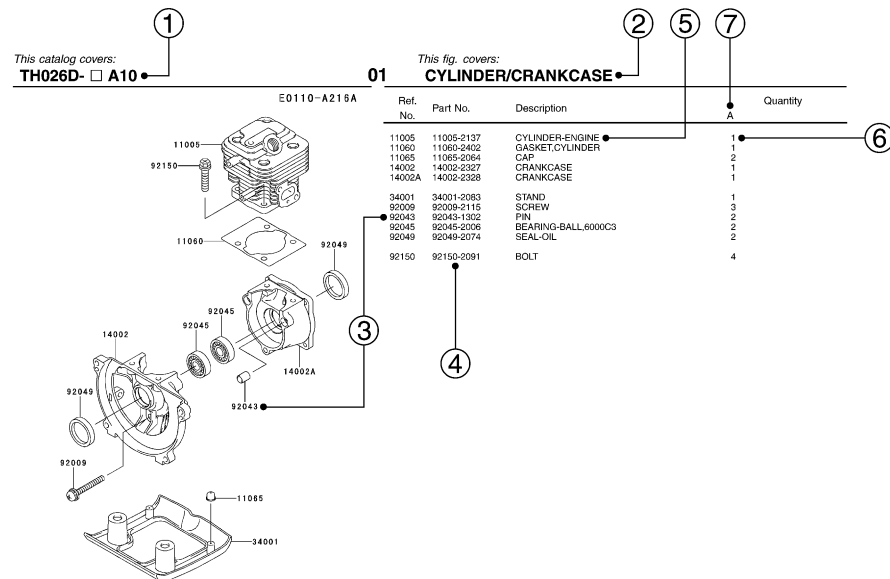
This parts catalog lists parts and sub-assemblies provided as service parts.

When it becomes necessary to replace parts, always use KAWASAKI GENUINE PARTS which have passed strict inspection which guarantees quality and performance.

### 1. HOW TO ORDER PARTS

- When ordering the parts, be sure to use the parts catalog corresponding to the product code. Check the product revision codes on the product and the catalog.  
Product Code (example) : FA130D-**AA00**  
└── Product Revision Code
- Specify the part code (all digits) exactly as listed in this catalog on your parts order.
- The parts not shown in the illustrations of this catalog are not sold separately; only the complete units or next higher assemblies illustrated are supplied as the service parts.

### 2. EXPLANATION OF PARTS CATALOG FORMAT



#### 1) Product Code

This code describes the product code covered by this catalog. The product revision code, which is a part of the product code, is omitted.

#### 2) Part Group Title

This title is the representative name for the group of parts illustrated on the page.

#### 3) Reference Number

The reference numbers are shown on the illustration and the list as the link between them.

This fig. covers:

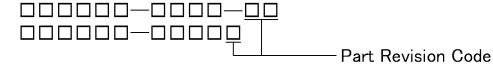
## PARTS LIST INFORMATION

### 4) Part Number

This is the key of your parts ordering.

Three kinds of part number are used in this catalog.

#### a. Structure 1

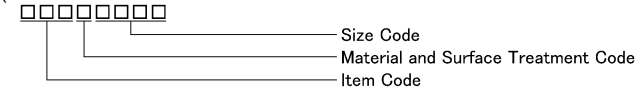


#### b. Structure 2



#### c. Standard Hardware Number

(for bolts, nuts, washer, or the like)



### 5) Description and Additional Information

The part name, the location, the size, and the serial number as additional information, etc. are described here. Use them to find out and check the part required.

When a part number is changed without change of the product revision code and the changed parts are not interchangeable, the serial number of the product is noted as follows;

- ( FA130 - 100001 ) : Affected units are from beginning of the product of the product code up to and including this serial number.
- ( FA130 - 100002 - ) : Affected units are from this serial number and above.
- ( FA130 - 100002 - FA130 - 110001 ) : Affected units are in this serial number range.

### 6) Quantity

The figure shows quantity of the part required at the indicated position on the illustration and for the specified product revision code.

The asterisk (\*) on this column means the part can be used as the substitute on the product and is supplied until the stock is exhausted.

Note: Some small parts will be supplied by units.

Example: If six (6) bolts are ordered and the minimum quantity per unit is five (5), two (2), units of the bolt will be delivered.

### 7) Product Revision Code

This Code indicates an important change which affects the service parts interchangeability.

### 3. ABBREVIATIONS

#	.....Number	FR	..... Front	RH	..... Right Hand
&	.....And	G	..... Gram	RPM	..... Revolutions Per Minute
(+)	..... Plus	HEX	..... Hexagonal	RR	..... Rear
(-)	..... Minus	ID=	..... Inside Diameter	STD	..... Standard
2ND	..... Second	IN	..... Inch	T	..... Teeth
3RD	..... Third	L=	..... Length	T=	..... Thickness
4TH	..... Fourth	LH	..... Left Hand	U/S	..... Under Size
A	..... Ampere	LWR	..... Lower	UPP	..... Upper
AR	..... As Required	MM	..... Millimeter	V	..... Volt
ASSY	..... Assembly	O/S	..... Over Size	W	..... Watt
CNT	..... Center	OD=	..... Outside Diameter		
COMP	..... Complete	REF	..... Reference		

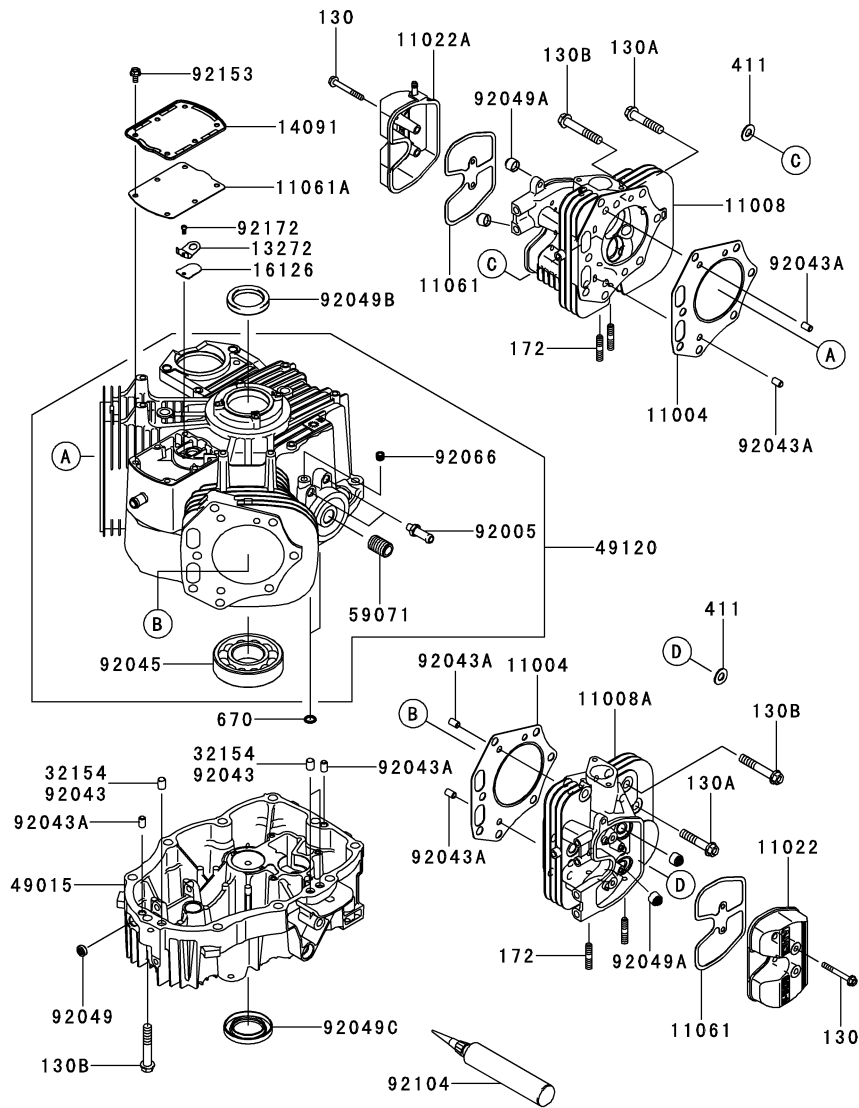
This catalog covers:

**FX751V- □ S00**

This fig. covers:

**01 CYLINDER/CRANKCASE**

E0110-A921B



Ref. No.	Part No.	Description	Quantity
11004	11004-7025	GASKET-HEAD	2
11008	11008-7036	HEAD-COMP-CYLINDER,#1	1
11008A	11008-7037	HEAD-COMP-CYLINDER,#2	1
11022	11022-0042	CASE-ROCKER,#2	1
11022A	11022-6012	CASE-ROCKER,#1	1
11061	11061-0899	GASKET,CASE-ROCKER	2
11061A	11061-7081	GASKET,BREATHER	1
13272	13272-1374	PLATE	1
14091	14091-7060	COVER,BREATHER	1
16126	16126-7020	VALVE,BREATHER	1
32154	32154-7019	PIPE	*
49015	49015-7088	COVER-CRANKCASE	1
49120	49120-0843	CRANKCASE-COMP	1
59071	59071-7025	JOINT	1
92005	92005-0771	FITTING	2
92043	92043-0858	PIN	3
92043A	92043-1263	PIN,6.2X8X14	6
92045	92045-0712	BEARING-BALL,6308	1
92049	92049-7019	SEAL-OIL,SO 8X14X5 HS	1
92049A	92049-7020	SEAL-OIL,7X15X13	4
92049B	92049-7024	SEAL-OIL,SD 40X54X9 R HS	1
92049C	92049-7026	SEAL-OIL,SD 40X62X8 L VS	1
92066	92066-0762	PLUG	1
92104	92104-0007	GASKET-LIQUID,TB1217H	AR
92153	92153-7043	BOLT,6X12	6
92172	92172-0870	SCREW,4X8	1
130	130BA0650	BOLT-FLANGED,6X50	4
130A	130CA1050	BOLT-FLANGED,10X50	2
130B	130CA1060	BOLT-FLANGED,10X60	20
172	172BA0822	BOLT-STUD,8X22	4
411	411AA1000	WASHER-PLAIN,10MM	2
670	670B2011	O RING,11MM	2

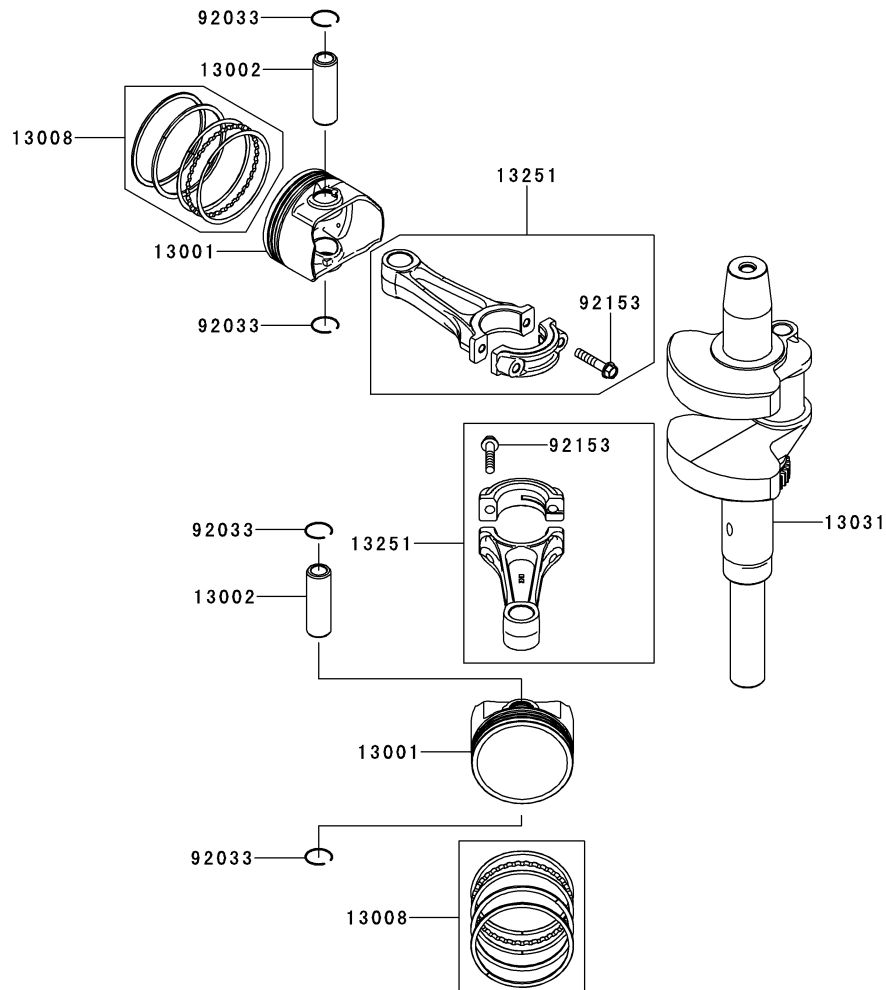
This catalog covers:

**FX751V- □ S00**

This fig. covers:

**02 PISTON/CRANKSHAFT**

E0120-A485A



Ref. No.	Part No.	Description	F	Quantity
13001	13001-7025	PISTON-ENGINE	2	
13002	13002-7005	PIN-PISTON	2	
13008	13008-6069	RING-SET-PISTON	2	
13031	13031-7079	CRANKSHAFT-COMP	1	
13251	13251-0722	ROD-ASSY-CONNECTING	2	
92033	92033-0724	RING-SNAP	4	
92153	92153-2054	BOLT,7X35.2	4	

This catalog covers:

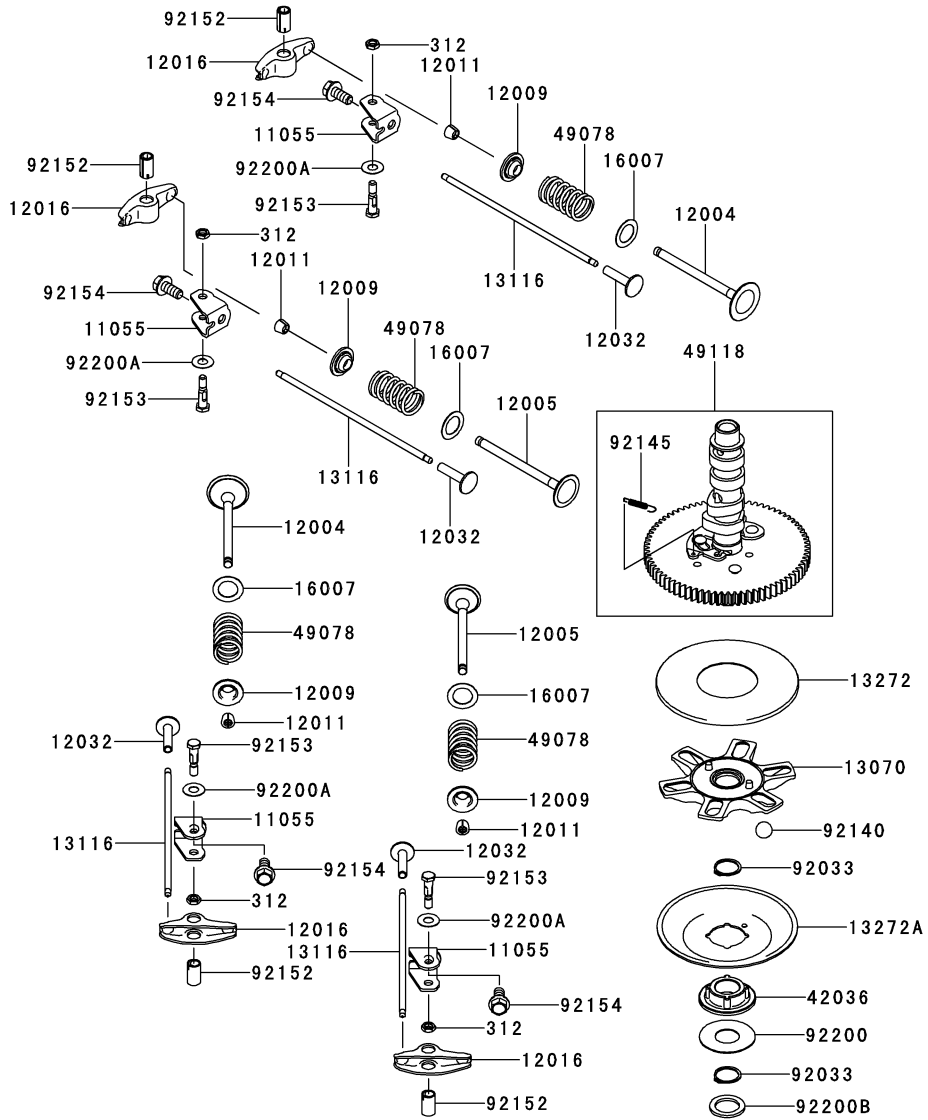
**FX751V- □ S00**

**03**

This fig. covers:

**VALVE/CAMSHAFT**

E0130-A226B



Ref. No.	Part No.	Description	Quantity
11055	11055-7009	BRACKET	4
12004	12004-0722	VALVE-INTAKE	2
12005	12005-0730	VALVE-EXHAUST	2
12009	12009-7004	RETAINER-VALVE SPRING	4
12011	12011-2052	COLLET	8
12016	12016-0037	ARM-ROCKER	4
12032	12032-7001	TAPPET	4
13070	13070-0758	GUIDE	1
13116	13116-7006	ROD-PUSH	4
13272	13272-7002	PLATE	1
13272A	13272-7003	PLATE,GOVERNOR	1
16007	16007-0709	SEAT-SPRING	4
42036	42036-7019	SLEEVE	1
49078	49078-7008	SPRING-ENGINE VALVE	4
49118	49118-7026	CAMSHAFT-COMP	1
92033	92033-0728	RING-SNAP	2
92140	92140-7005	BALL	6
92145	92145-1653	SPRING	1
92152	92152-1689	COLLAR	4
92153	92153-7100	BOLT,6X29.5	4
92154	92154-1267	BOLT,8X18.2	4
92200	92200-0946	WASHER,20X46X0.91	1
92200A	92200-2151	WASHER,8.1X18X0.5	4
92200B	92200-7044	WASHER,20.3X29X2.28	1
312	312AA0600	NUT-HEX,6MM	4

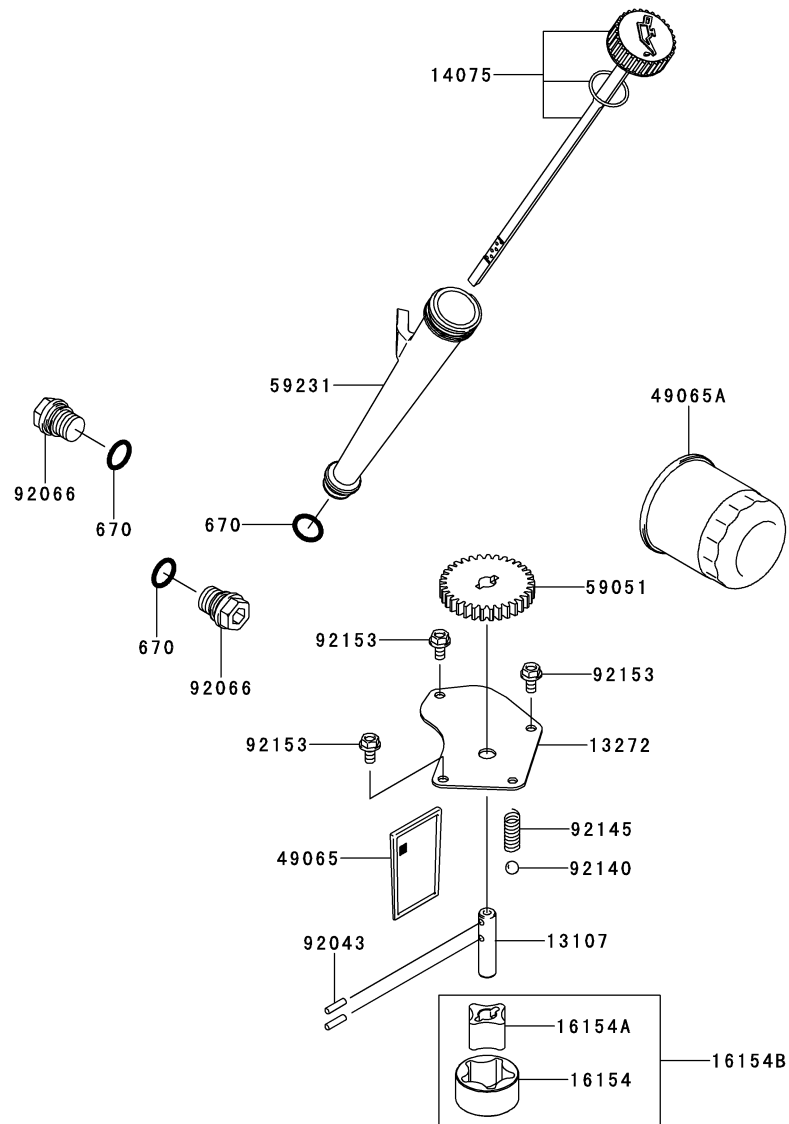
This catalog covers:

**FX751V- □ S00**

This fig. covers:

**04 LUBRICATION-EQUIPMENT**

E0140-A450C



Ref. No.	Part No.	Description	F	Quantity
13107	13107-0749	SHAFT		1
13272	13272-7005	PLATE		1
14075	14075-0033	CAP-ASSY		1
16154	16154-1075	ROTOR-PUMP, OUTER		1
16154A	16154-1076	ROTOR-PUMP, INNER		1
16154B	16154-1079	ROTOR-PUMP		1
49065	49065-7004	FILTER-OIL		1
49065A	49065-7010	FILTER-OIL		1
59051	59051-7011	GEAR-SPUR		1
59231	59231-7014	FILLER		1
92043	92043-7003	PIN		2
92066	92066-0774	PLUG		2
92140	92140-7003	BALL, STEEL, 13/32		1
92145	92145-1658	SPRING		1
92153	92153-7043	BOLT, 6X12		3
670	670D2016	O RING, 16MM		3

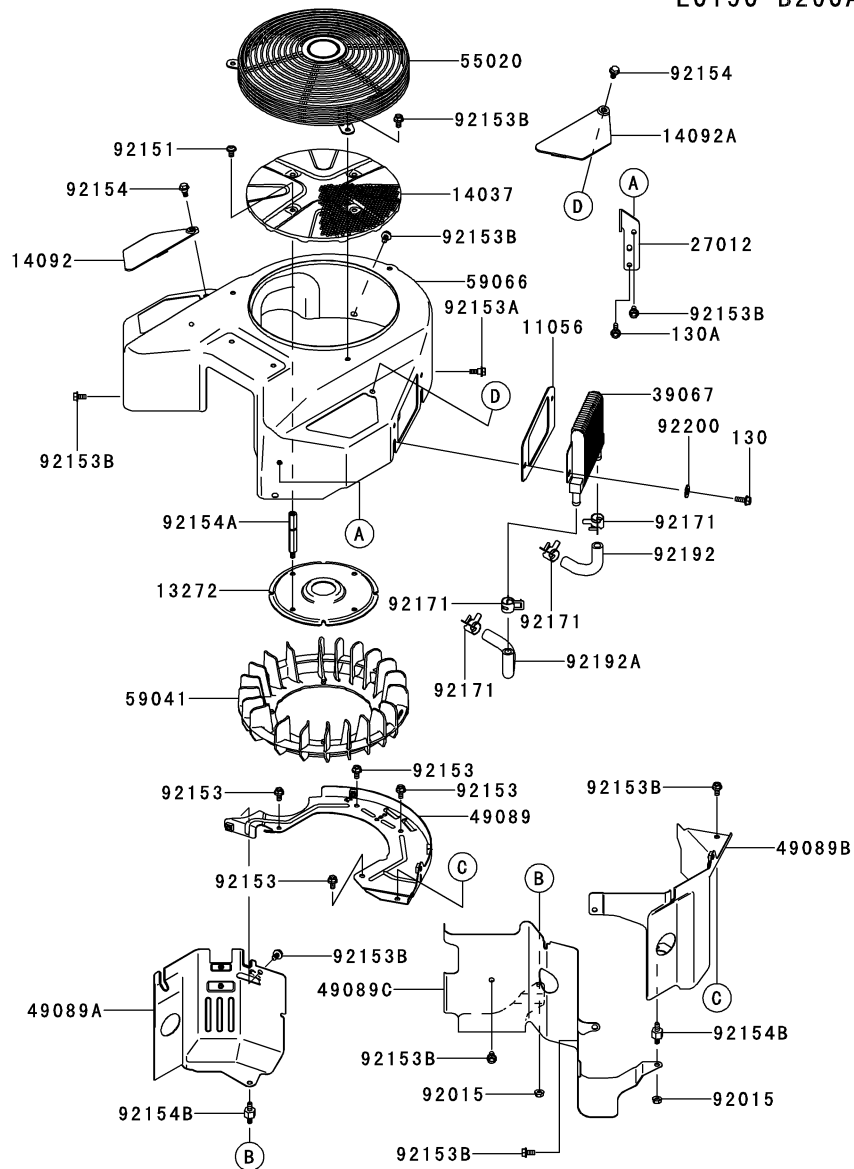
This catalog covers:

**FX751V- □ S00**

This fig. covers:

**05 COOLING-EQUIPMENT**

E0150-B260A



Ref. No.	Part No.	Description	F	Quantity
11056	11056-7280	BRACKET		1
13272	13272-1486	PLATE,FAN		1
14037	14037-7029-9H	SCREEN		1
14092	14092-1039	COVER		1
14092A	14092-1040	COVER		1
27012	27012-7009	HOOK,LIFT		1
39067	39067-0018	COOLER-OIL		1
49089	49089-0866	SHROUD-ENGINE,BACK		1
49089A	49089-0873	SHROUD-ENGINE,#1		1
49089B	49089-0874	SHROUD-ENGINE,#2		1
49089C	49089-7067-753	SHROUD-ENGINE,V-BANK		1
55020	55020-7016-9H	GUARD		1
59041	59041-7019	FAN		1
59066	59066-0740	HOUSING-FAN		1
92015	92015-1367	NUT,FLANGED,6MM		2
92151	92151-7012	BOLT,6X12		4
92153	92153-0010	BOLT,FLANGED,6X12		4
92153A	92153-7007	BOLT,FLANGED,6X16		1
92153B	92153-7043	BOLT,6X12		10
92154	92154-1119	BOLT		2
92154A	92154-1151	BOLT		4
92154B	92154-1662	BOLT		2
92171	92171-7015	CLAMP		4
92192	92192-1448	TUBE		1
92192A	92192-1449	TUBE		1
92200	92200-2035	WASHER,6.5X18X2.0		2
130	130BA0616	BOLT-FLANGED,6X16		2
130A	130BA0620	BOLT-FLANGED,6X20		1

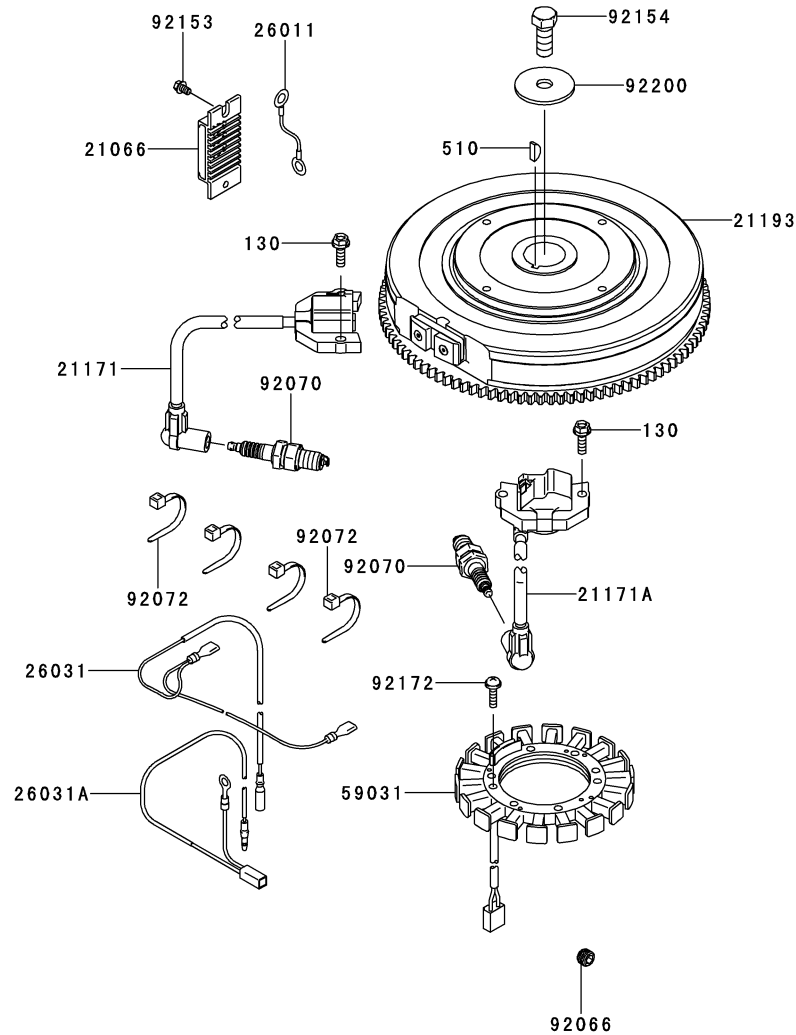
This catalog covers:

**FX751V- □ S00**

This fig. covers:

**06 ELECTRIC-EQUIPMENT**

E0160-B802A



Ref. No.	Part No.	Description	F	Quantity
21066	21066-0740	REGULATOR-VOLTAGE	1	1
21171	21171-0738	COIL-ASSY-IGNITION,#1 CYL	1	1
21171A	21171-0739	COIL-ASSY-IGNITION,#2 CYL	1	1
21193	21193-0015	FLYWHEEL-ASSY	1	1
26011	26011-2234	WIRE-LEAD	1	1
26031	26031-7033	HARNESS	1	1
26031A	26031-7034	HARNESS	1	1
59031	59031-7017	COIL-CHARGING	1	1
92066	92066-0762	PLUG	1	1
92070	92070-7004	PLUG-SPARK,BPR4ES(NGK),SOLID	2	2
92072	92072-7003	BAND	4	4
92153	92153-7029	BOLT	2	2
92154	92154-7003	BOLT,12X30	1	1
92172	92172-7018	SCREW,5X20	4	4
92200	92200-7040	WASHER,12.2X46X3	1	1
130	130BA0620	BOLT-FLANGED,6X20	4	4
510	510A5100	KEY-WOODRUFF	1	1



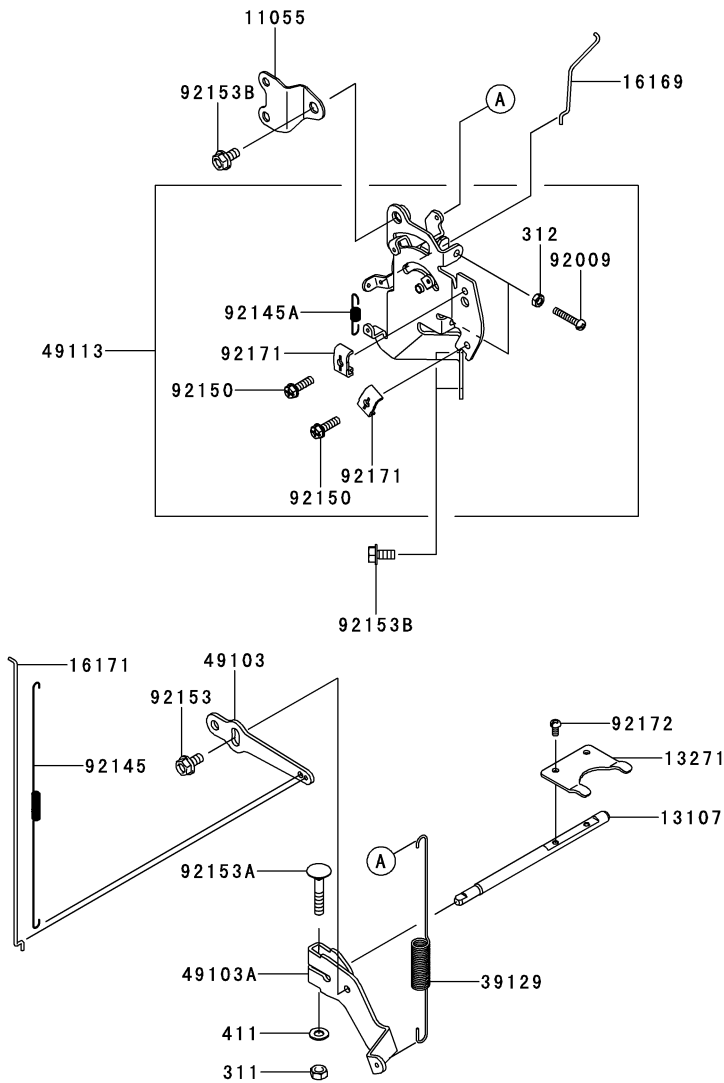
This catalog covers:

**FX751V- □ S00**

This fig. covers:

**07 CONTROL-EQUIPMENT**

E0170-A764C



Ref. No.	Part No.	Description	F	Quantity
11055	11055-7001	BRACKET		1
13107	13107-7047	SHAFT, GOVERNOR		1
13271	13271-7038	PLATE		1
16169	16169-0007	LINK-CHOKE		1
16171	16171-0032	LINK		1
39129	39129-0008	SPRING-GOVERNOR		1
49103	49103-7012	ARM-GOVERNOR		1
49103A	49103-7018	ARM-GOVERNOR		1
49113	49113-0007	PANEL-COMP-CONTROL		1
92009	92009-2381	SCREW, 5X30		2
92145	92145-1647	SPRING		1
92145A	92145-7044	SPRING		1
92150	92150-2182	BOLT, 5X18		2
92153	92153-0009	BOLT, 6X12		1
92153A	92153-7033	BOLT, 6X35		1
92153B	92153-7043	BOLT, 6X12		3
92171	92171-7018	CLAMP		2
92172	92172-7033	SCREW, 4X8		2
311	311AA0600	NUT-HEX, 6MM		1
312	312AA0500	NUT-HEX, 5MM		2
411	411AA0600	WASHER-PLAIN, 6MM		1

This catalog covers:

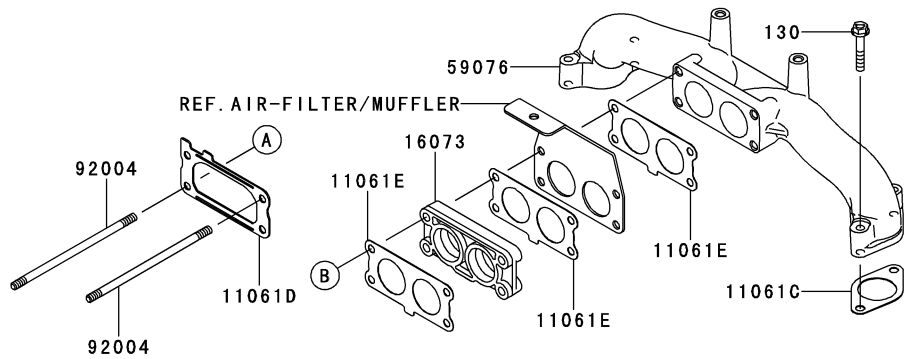
**FX751V- □ S00**

**08**

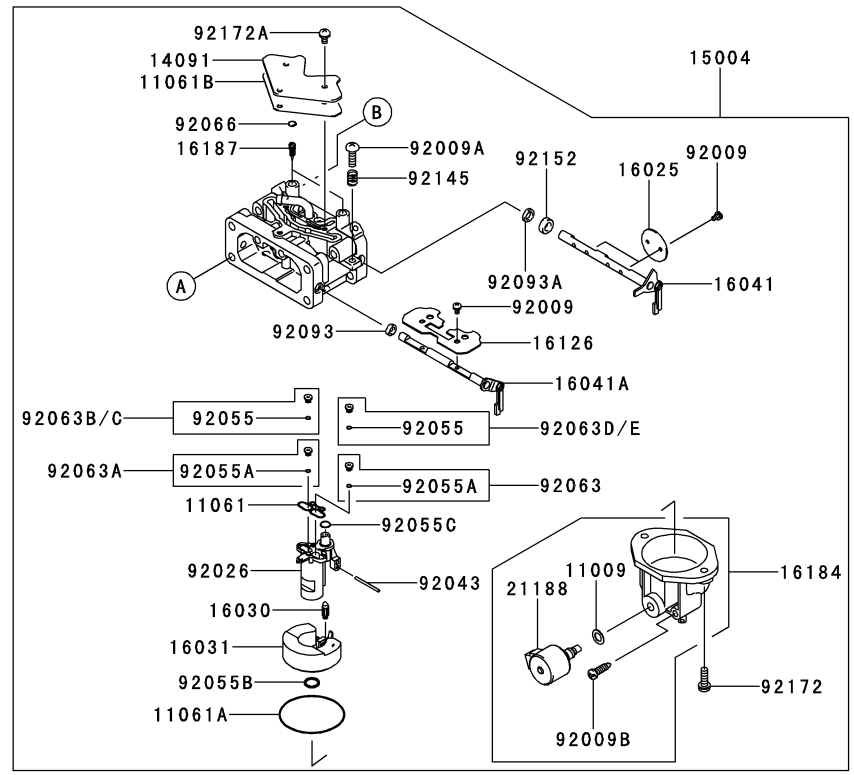
This fig. covers:

**CARBURETOR**

E0180-B086A



Ref. No.	Part No.	Description	F	Quantity
11009	11009-2056	GASKET,SCREW-CARBURETOR		1
11061	11061-7037	GASKET,CARB SPACER		1
11061A	11061-7038	GASKET,CARBURETOR		1
11061B	11061-7039	GASKET		1
11061C	11061-7070	GASKET,HEAD/MANIFOLD		2
11061D	11061-7091	GASKET,CARBURETOR/PIPE		1
11061E	11061-7092	GASKET,CARBURETOR/MANIFOLD		3
14091	14091-7031	COVER		1
15004	15004-0867	CARBURETOR-ASSY		1
16025	16025-7010	VALVE-THROTTLE		2
16030	16030-7004	VALVE-FLOAT		1
16031	16031-7003	FLOAT		1
16041	16041-0039	SHAFT-CARBURETOR,THROTTLE		1
16041A	16041-0041	SHAFT-CARBURETOR,CHOKE		1
16073	16073-7011	INSULATOR		1
16126	16126-7021	VALVE		1
16184	16184-7023	CHAMBER-ASSY-FLOAT		1
16187	16187-7005	NEEDLE-JET		2
21188	21188-7003	SOLENOID		1
59076	59076-7013	MANIFOLD-INTAKE		1
92004	92004-7028	STUD,6X120		2
92009	92009-7003	SCREW		6
92009A	92009-7004	SCREW		1
92009B	92009-7006	SCREW,DRAIN		1
92026	92026-7024	SPACER		1
92043	92043-7014	PIN		1
92055	92055-7013	RING-O	AR	2
92055A	92055-7013	RING-O		1
92055B	92055-7016	RING-O		1
92055C	92055-7024	RING-O		1



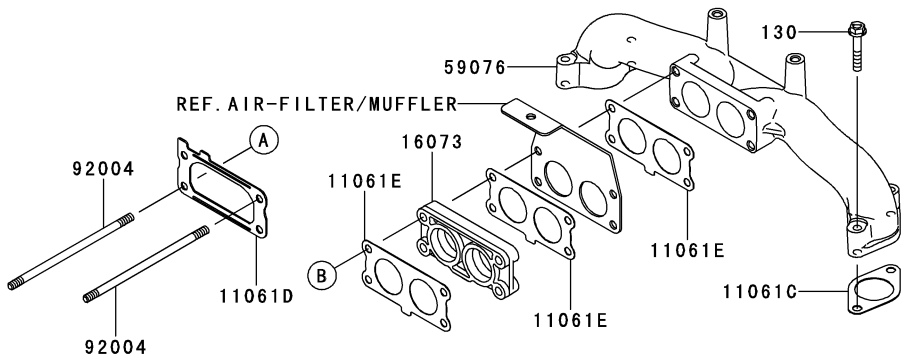
This catalog covers:

**FX751V- □ S00**

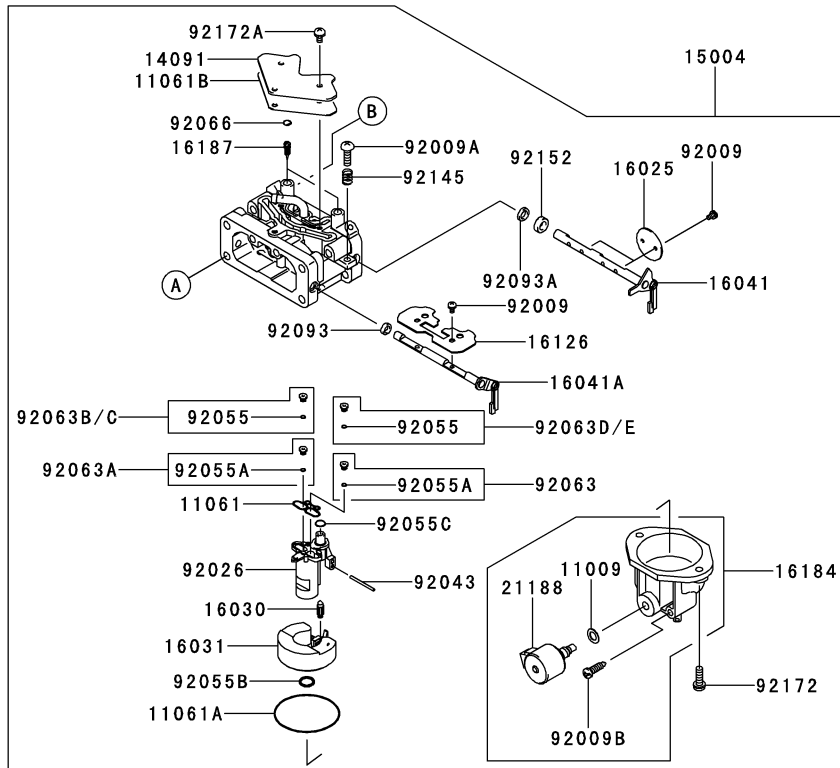
This fig. covers:

**08 CARBURETOR**

E0180-B086A



Ref. No.	Part No.	Description	Quantity
92063	92063-7106	JET-MAIN,#124	1
92063A	92063-7110	JET-MAIN,#118	1
92063B	92063-7135	JET-MAIN,#115,3280FT	AR
92063C	92063-7136	JET-MAIN,#112,6560FT	AR
92063D	92063-7137	JET-MAIN,#117,3280FT	AR
92063E	92063-7138	JET-MAIN,#114,6560FT	AR
92066	92066-7009	PLUG,EXPANSION	2
92093	92093-7001	SEAL,D=5.9	1
92093A	92093-7002	SEAL,D=6.9	1
92145	92145-7010	SPRING	1
92152	92152-7005	COLLAR	1
92172	92172-7005	SCREW,M5	2
92172A	92172-7006	SCREW,M4	3
130	130AA0635	BOLT-FLANGED,6X35	4



This catalog covers:

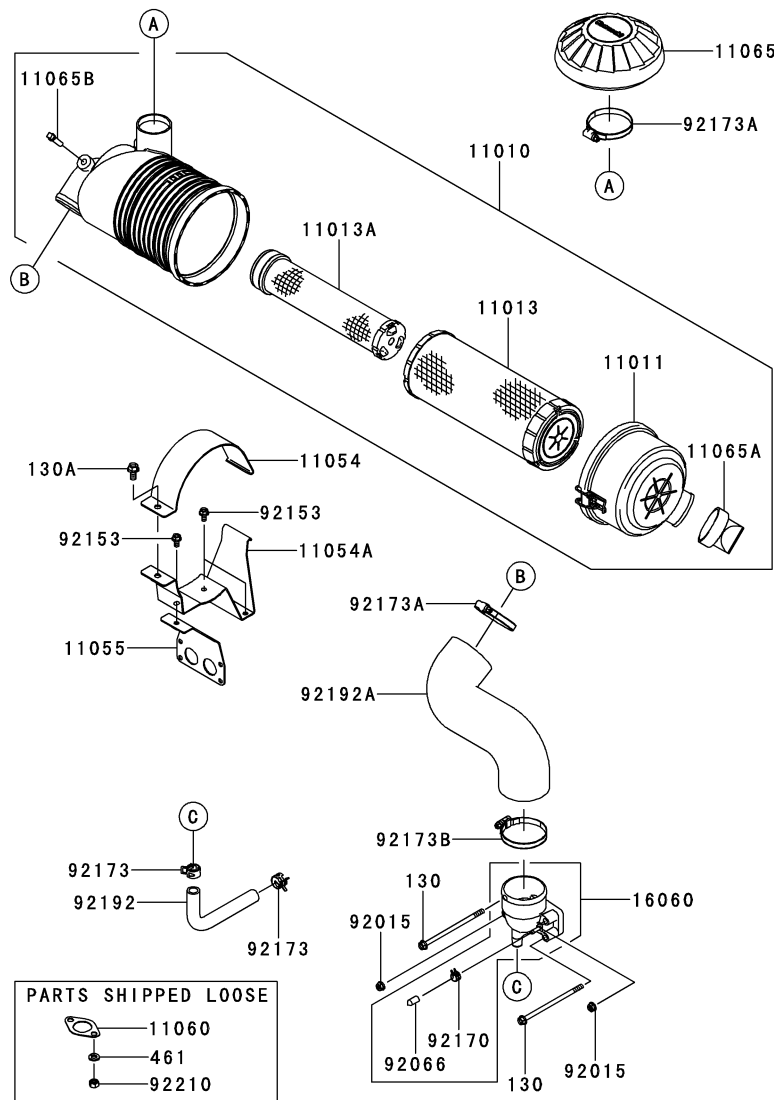
**FX751V- □ S00**

**09**

This fig. covers:

**AIR-FILTER/MUFFLER**

E0190-B248A



Ref. No.	Part No.	Description	Quantity
11010	11010-7028	FILTER-ASSY-AIR	1
11011	11011-7056	CASE-AIR FILTER	1
11013	11013-7044	ELEMENT-AIR FILTER	1
11013A	11013-7045	ELEMENT-AIR FILTER	1
11054	11054-7013-9X	BRACKET	1
11054A	11054-7016-9X	BRACKET	1
11055	11055-7007-9X	BRACKET	1
11060	11060-7016	GASKET,MUFFLER	2
11065	11065-7025	CAP	1
11065A	11065-7031	CAP	1
11065B	11065-7032	CAP	1
16060	16060-0723	PIPE-INTAKE	1
92015	92015-1367	NUT,FLANGED,6MM	2
92066	92066-0095	PLUG	1
92153	92153-7043	BOLT,6X12	3
92170	92170-2042	CLAMP	1
92173	92173-7003	CLAMP	2
92173A	92173-7010	CLAMP	2
92173B	92173-7011	CLAMP	1
92192	92192-7086	TUBE,12.6X18.6X124.6	1
92192A	92192-7166	TUBE,AIR-FILTER	1
92210	92210-7027	NUT,M8	4
130	130AA06120	BOLT-FLANGED,6X120	2
130A	130BA0816	BOLT-FLANGED,8X16	1
461	461DA0800	WASHER-SPRING,8MM	4

This catalog covers:

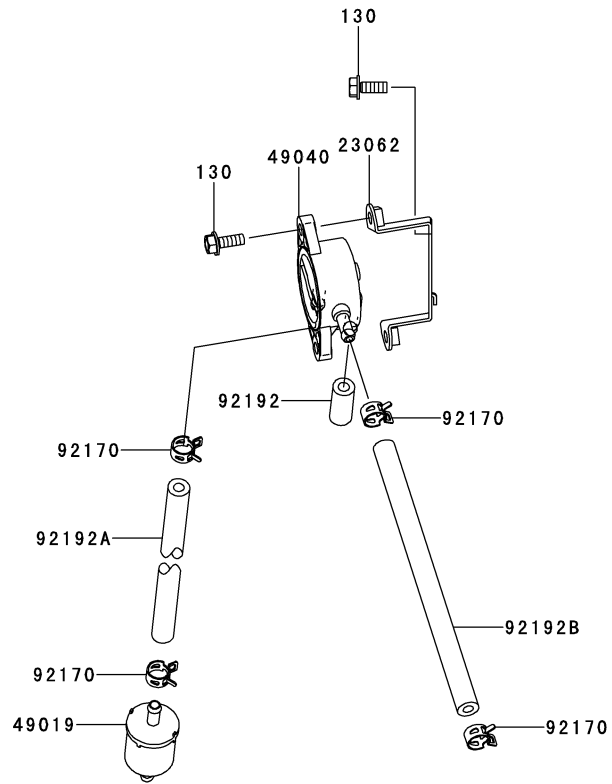
**FX751V- □ S00**

This fig. covers:

**10 FUEL-TANK/FUEL-VALVE**

E0200-A886A

Ref. No.	Part No.	Description	F	Quantity
23062	23062-7018	BRACKET-COMP		1
49019	49019-7001	FILTER-FUEL		1
49040	49040-7001	PUMP-FUEL		1
92170	92170-2009	CLAMP		4
92192	92192-7088	TUBE,6.4X12.7X28.5		1
92192A	92192-7169	TUBE,6.35X12.7X140		1
92192B	92192-7173	TUBE,6.35X12.7X195		1
130	130BA0616	BOLT-FLANGED,6X16		3



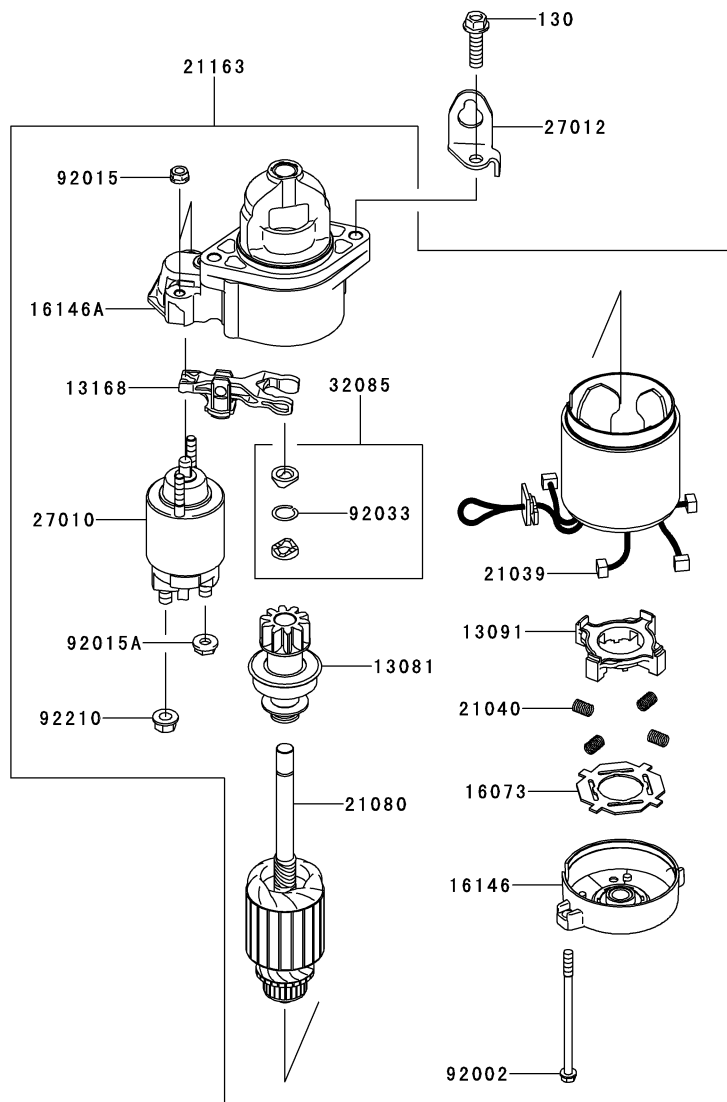
This catalog covers:

**FX751V- □ S00**

This fig. covers:

**11 STARTER**

E0210-A479A



Ref. No.	Part No.	Description	F	Quantity
13081	13081-7002	CLUTCH-ASSY		1
13091	13091-2068	HOLDER,BRUSH		1
13168	13168-2148	LEVER,SHIFT		1
16073	16073-2098	INSULATOR		1
16146	16146-2077	COVER-ASSY		1
16146A	16146-7029	COVER-ASSY		1
21039	21039-2059	BRUSH		4
21040	21040-2052	SPRING-BRUSH		4
21080	21080-2058	ARMATURE		1
21163	21163-7025	STARTER-ELECTRIC		1
27010	27010-7005	SWITCH		1
27012	27012-7005	HOOK,LIFT		1
32085	32085-2097	STOPPER		1
92002	92002-2277	BOLT		2
92015	92015-2146	NUT		2
92015A	92015-2147	NUT		1
92033	92033-2081	RING-SNAP		1
92210	92210-2085	NUT		1
130	130BA0830	BOLT-FLANGED,8X30		2

This catalog covers:

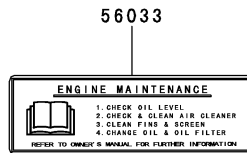
**FX751V- □ S00**

This fig. covers:

**12 LABEL**

F0290-B797A

Ref. No.	Part No.	Description	F	Quantity
56014	56014-0720	EMBLEM		1
56033	56033-7001	LABEL-MANUAL		1
56071	56071-0216	LABEL-WARNING		1



*This catalog covers:*

**FX751V- □ S00**

*This fig. covers:*

---

## PART NAME INDEX

AIR-FILTER/MUFFLER .....	09
CARBURETOR .....	08
CARBURETOR .....	08
CONTROL-EQUIPMENT .....	07
COOLING-EQUIPMENT .....	05
CYLINDER/CRANKCASE .....	01
ELECTRIC-EQUIPMENT .....	06
FUEL-TANK/FUEL-VALVE .....	10
LABEL .....	12
LUBRICATION-EQUIPMENT .....	04
PISTON/CRANKSHAFT .....	02
STARTER .....	11
VALVE/CAMSHAFT .....	03



This catalog covers:

**FX751V- □ S00**

This fig. covers:

**NUMERICAL PARTS INDEX**

Part No.	Fig No.	Part No.	Fig No.	Part No.	Fig No.	Part No.	Fig No.	Part No.	Fig No.
11004-7025	01	13272-7002	03	49040-7001	10	92063-7138	08	92200-2151	03
11008-7036	01	13272-7003	03	49065-7004	04	92066-0095	09	92200-7040	06
11008-7037	01	13272-7005	04	49065-7010	04	92066-0762	01	92200-7044	03
11009-2056	08	14037-7029-9H	05	49078-7008	03	92066-0762	06	92210-2085	11
11010-7028	09	14075-0033	04	49089-0866	05	92066-0774	04	92210-7027	09
11011-7056	09	14091-7031	08	49089-0873	05	92066-7009	08		
11013-7044	09	14091-7060	01	49089-0874	05	92070-7004	06		
11013-7045	09	14092-1039	05	49089-7067-753	05	92072-7003	06		
11022-0042	01	14092-1040	05	49103-7012	07	92093-7001	08		
11022-6012	01	15004-0867	08	49103-7018	07	92093-7002	08		
11054-7013-9X	09	16007-0709	03	49113-0007	07	92104-0007	01		
11054-7016-9X	09	16025-7010	08	49118-7026	03	92140-7003	04		
11055-7001	07	16030-7004	08	49120-0843	01	92140-7005	03		
11055-7007-9X	09	16031-7003	08	510A5100	06	92145-1647	07		
11055-7009	03	16041-0039	08	55020-7016-9H	05	92145-1653	03		
11056-7280	05	16041-0041	08	56014-0720	12	92145-1658	04		
11060-7016	09	16060-0723	09	56033-7001	12	92145-7010	08		
11061-0899	01	16073-2098	11	56071-0216	12	92145-7044	07		
11061-7037	08	16073-7011	08	59031-7017	06	92150-2182	07		
11061-7038	08	16126-7020	01	59041-7019	05	92151-7012	05		
11061-7039	08	16126-7021	08	59051-7011	04	92152-1689	03		
11061-7070	08	16146-2077	11	59066-0740	05	92152-7005	08		
11061-7081	01	16146-7029	11	59071-7025	01	92153-0009	07		
11061-7091	08	16154-1075	04	59076-7013	08	92153-0010	05		
11061-7092	08	16154-1076	04	59231-7014	04	92153-2054	02		
11065-7025	09	16154-1079	04	670B2011	01	92153-7007	05		
11065-7031	09	16169-0007	07	670D2016	04	92153-7029	06		
11065-7032	09	16171-0032	07	92002-2277	11	92153-7033	07		
12004-0722	03	16184-7023	08	92004-7028	08	92153-7043	01		
12005-0730	03	16187-7005	08	92005-0771	01	92153-7043	04		
12009-7004	03	172BA0822	01	92009-2381	07	92153-7043	05		
12011-2052	03	21039-2059	11	92009-7003	08	92153-7043	07		
12016-0037	03	21040-2052	11	92009-7004	08	92153-7043	09		
12032-7001	03	21066-0740	06	92009-7006	08	92153-7100	03		
13001-7025	02	21080-2058	11	92015-1367	05	92154-1119	05		
13002-7005	02	21163-7025	11	92015-1367	09	92154-1151	05		
13008-6069	02	21171-0738	06	92015-2146	11	92154-1267	03		
13031-7079	02	21171-0739	06	92015-2147	11	92154-1662	05		
13070-0758	03	21188-7003	08	92026-7024	08	92154-7003	06		
13081-7002	11	21193-0015	06	92033-0724	02	92170-2009	10		
13091-2068	11	23062-7018	10	92033-0728	03	92170-2042	09		
130AA06120	09	26011-2234	06	92033-2081	11	92171-7015	05		
130AA0635	08	26031-7033	06	92043-0858	01	92171-7018	07		
130BA0616	05	26031-7034	06	92043-1263	01	92172-0870	01		
130BA0616	10	27010-7005	11	92043-7003	04	92172-7005	08		
130BA0620	05	27012-7005	11	92043-7014	08	92172-7006	08		
130BA0620	06	27012-7009	05	92045-0712	01	92172-7018	06		
130BA0650	01	311AA0600	07	92049-7019	01	92172-7033	07		
130BA0816	09	312AA0500	07	92049-7020	01	92173-7003	09		
130BA0830	11	312AA0600	03	92049-7024	01	92173-7010	09		
130CA1050	01	32085-2097	11	92049-7026	01	92173-7011	09		
130CA1060	01	32154-7019	01	92055-7013	08	92192-1448	05		
13107-0749	04	39067-0018	05	92055-7013	08	92192-1449	05		
13107-7047	07	39129-0008	07	92055-7016	08	92192-7086	09		
13116-7006	03	411AA0600	07	92055-7024	08	92192-7088	10		
13168-2148	11	411AA1000	01	92063-7106	08	92192-7166	09		
13251-0722	02	42036-7019	03	92063-7110	08	92192-7169	10		
13271-7038	07	461DA0800	09	92063-7135	08	92192-7173	10		
13272-1374	01	49015-7088	01	92063-7136	08	92200-0946	03		
13272-1486	05	49019-7001	10	92063-7137	08	92200-2035	05		